

Stainless Steel Davit System

SPECIFICATION FOR 915400

The Austlift 915400 Stainless-Steel Davit has been designed for working at height applications where the need for suspension, rescue and fall arrest are required. It is ideally suited for corrosive and wet environments such as water treatment plants, shipping and food processing plants.

Certified for personal and material handling, makes this unit capable of satisfying a variety of on site requirements for example, safe anchor for personal when entering confined spaces, rescuing personal after a fall, or retrieving injured personal as part of a rescue plan.


(Note: Never use for material handling and personal at the same time)

Features

- Robust Stainless Steel for high corrosion resistance
- 360-degree swivel whilst on the mounting base or wall mount base
- The 15kn Cantilever arm has 3 defined adjustment points providing greater reach and access (refer image below)
- Twin anchorage points on cantilever arm rated at 15kN for fall arrest
- Single point Anchor point rated at 21kN at base of Mast allowing for two users to connect
- The davit is interchangeable between floor and wall mounts
- Compatible with the 915506, 915508 and 915509 Winch 915320 a Type 3 Rescue
- Compatible with the 915320 and 915321 Type 3 Rescue Retrieval winch
- Developed for use in safety and rescue as well as for lifting and lowering loads



How To Use

Refer to User Instruction Manual 

Material

316 Stainless Steel

Polished

Weight

Cantilever Arm: 15.9kg

Boom Upright: 19.2kg

Rating

15kN

Maximum Load

300kg

Relevant Standards

EN795:2012 Type A and AS/NZS 5532

Range of Accessories



Winch
Code:915506 /915509



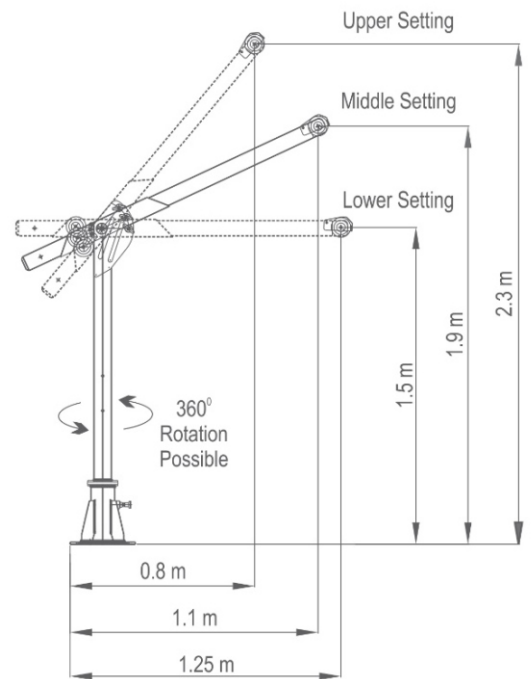
Winch
Code:915508



Retrieval Retractable Blocks
Code:915320 / 915321



Floor mounting bracket Galvanised
Code:915401



Bracket for 30m recovery block
Code:915416



Bracket for 20m recovery block
Code:915412





Wall mounting bracket Galvanised
Code:915402



Concrete Insert Concealed
Code: 915403

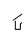

NSW Head Office

 43 Frank Street
Wetherill Park, NSW 2164
 02 9757 2277

WA Office

 42 Mulgool Road
Malaga, WA 6090
 08 9248 6674

QLD Office

 7 Durbell Street
Acacia Ridge, QLD 4110
 07 3272 0777

VIC Office

 47 Technology Drive
Sunshine West, VIC 3020
 03 9314 5525