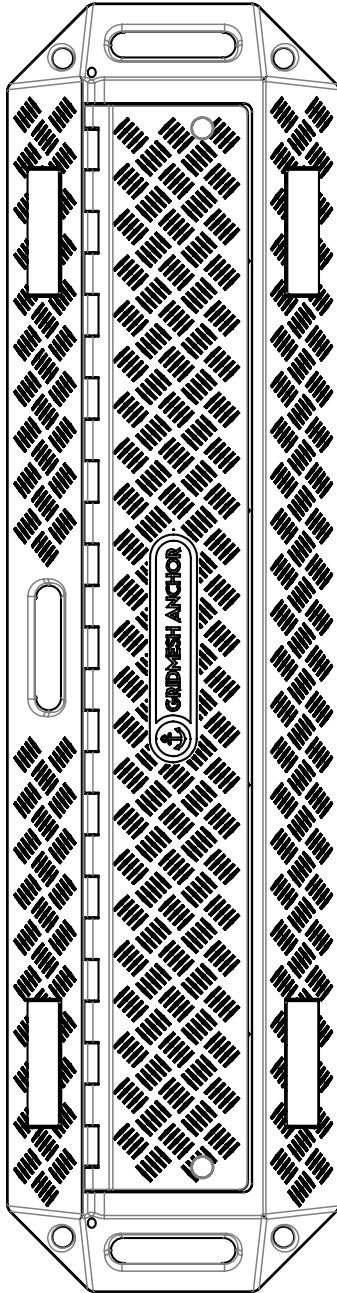




GA02
USER INSTRUCTION MANUAL
FOR FALL PROTECTION USE



GRIDMESH ANCHOR

Model Numbers: GA02

USER INSTRUCTION MANUAL FALL PROTECTION

A two person fall protection anchorage device for use on steel structures covered by grid mesh, allowing workers to work directly below the platform.

This manual should be used as part of an employee training program.

DESCRIPTION:

The Gridmesh Anchor (GMA) is designed to be a part of a personal fall-arrest system for use on suitable steel structures that are covered by trafficable gridmesh. This application might typically be in processing plants, on oil rigs and other applications in chemical plants, mining and oil & gas industries.

Gridmesh anchors do not place any load on the trafficable areas of the walkway in a way that would damage it. Issues such as sagging or bending by placing higher loads is avoided as the GMA design will direct any impact loads directly into the structure to which the mesh is attached. This ensures that the GMA will place no more load than would otherwise be directed under traffic conditions or if using alternative means of access such as rope access systems.



WARNING: This product is part of a personal fall arrest, work positioning, or rescue system. The user must follow the manufacturer's instructions for each component of the system. These instructions must be provided to the user of this equipment. The user must read and understand these instructions before using this equipment. Manufacturer's instructions must be followed for proper use and maintenance of this equipment. Alterations or misuse of this product or failure to follow instructions may result in serious injury or death.



IMPORTANT: This equipment is designed to be part of a personal fall-arrest system only. Do not use it as an anchorage or support device for materials or other types of equipment.



IMPORTANT: If you have questions on the use, care, or suitability of this equipment for your application, contact Gridmesh Anchor.



IMPORTANT: Before using this equipment, record the product identification information from the ID label in the Inspection and Maintenance Log of this manual, or in a suitable equipment register.

1.0 Application

Purpose: The Gridmesh Anchor is designed to allow a worker to connect a fall arrest lanyard or self retracting lifeline (SRL) in a location directly below a walkway or trafficable area covered by Gridmesh. The GMA provides superior installation time and safety than traditional methods of access. The risk of a fall by a rope access technician to get to a place to install a beam anchors/clamp with an SRL attached is removed and can be installed in under 5 minutes. The Gridmesh Anchor may also be used as an attachment point for rescue personnel while performing a rescue.

Standards: The Gridmesh Anchor has been tested in accordance with AS/NZS 5332 and conforms with the anchorage strength requirements of AS/NZS1891.4 as a two person anchor.

Training: This equipment is intended to be used by persons trained in its correct application and use. It is the responsibility of users to ensure that they are familiar with these instructions and are trained in the correct care and use of this equipment. Users must be aware of the operating characteristics, application limits, and the consequences of improper use.

2.0 Limitations & Requirements

Installation Location: The Gridmesh Anchor must be positioned on a gridmesh structure in such a way as the load bearing feet of the device rest over structure supporting/holding up the mesh. If there is any doubt about the potential for the structure to sustain a fall arrest load, a qualified person should be consulted to verify the structural adequacy prior to use.

Figure 1 - Swing Falls

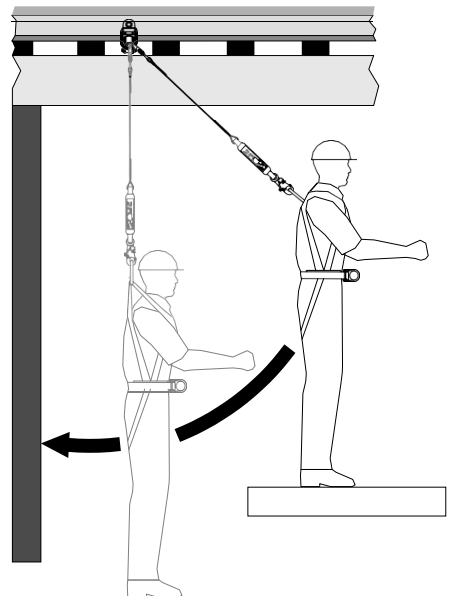


NOTE: the maximum weight of each person using the device is 160kg (352 lb), providing they are using lanyards and systems manufactured by a fall protection supplier rated up to 160kg.

Personal Protective Equipment:

Gridmesh Anchor recommends that only standards-certified fall protection equipment be used in conjunction with the Gridmesh Anchor. Fall protection equipment such as harnesses, lanyards, self-retracting lifelines and connecting hardware must be capable of supporting at least 15kN (3,372 lb) for a single person or 21kN for a 2-person anchor.

Gridmesh Anchor also recommends the use of attachment fittings such as hooks and karabiners that conform to AS/NZS 1891.1, or preferably with a 16kN (3,600 lb) gate strength. Gridmesh anchor also recommends the use of gloves and helmets during installation to avoid injury.



Free Fall / Swing Fall: Gridmesh Anchor recommends the use of a fall arrest system that will limit the potential free fall distance to a maximum of 2m (6.5 ft) or less. Care should also be taken when using this system to minimize the swing fall effect by working directly below the anchorage point on the GMA (See Figure 1). Swing falls occur when the anchorage point is not above the point where a fall begins. The force of striking an object in a swing fall may cause serious injury. In a swing fall, the total vertical fall distance will be greater than if the user had fallen directly below the anchorage point, thus increasing fall clearance required to safely arrest the user. See fall arrest manufacturer's instruction for more information.

Fall clearance: Always ensure that adequate clearance exists in the fall path to prevent contact with an object or the ground after a fall. The clearance required is dependent on the type and length of connecting subsystem (adjustable lanyard or small Personal Fall Arrestor such as a Self-Retracting Lifeline [SRL]). See fall arrest manufacturer's instruction for more information.

Physical and Environmental hazards: A risk assessment should be undertaken prior to installing any GMA product. The Gridmesh Anchor and any attaching safety line systems must be positioned in a way that reduces the risk of a user colliding or impacting them in the event of a fall. For example protrusions, sharp edges, machinery or other items that may be located in the area a fall may occur should be cleared or precautions taken to prevent collision prior to use.

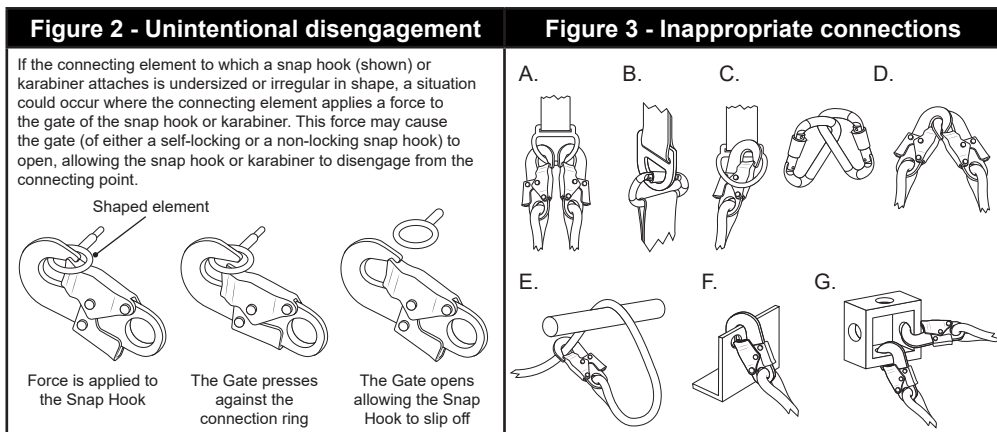
Compatibility of Components: Unless otherwise noted, Gridmesh Anchor equipment is designed for use with Gridmesh Anchor approved components and subsystems only. Substitutions or replacements made with non approved components or subsystems may jeopardize compatibility of equipment and may affect safety and reliability of the complete system.



IMPORTANT: Read and follow manufacturer's instructions for associated components and subsystems in your personal fall arrest system.

Compatibility of Connectors: Connectors are compatible with connecting elements when they have been designed to work together in such a way that their sizes and shapes do not cause their gate mechanisms to inadvertently open regardless of how they become oriented. Contact Gridmesh Anchor if you have any questions about compatibility.

Connectors (hooks, karabiners, and D-rings) must be capable of supporting at least 20kN (4,496 lb). Connectors must be compatible with the anchorage or other system components. Do not use equipment that is not compatible. Non-compatible connectors may unintentionally disengage (see Figure 2). Connectors must be compatible in size, shape, and strength. Self-locking snap hooks, karabiners and attachment hardware must be compliant with AS/NZS1891.1.



Making Connections: Snap hooks and karabiners used with this equipment must be self-locking. Ensure all connections are compatible in size, shape and strength. Do not use equipment that is not compatible. Ensure all connectors are fully closed and locked.

Gridmesh Anchor connectors (snap hooks and karabiners) are designed to be used only as specified in each product's user's instructions. See Figure 3 for examples of inappropriate connections. Do not connect snap hooks and karabiners:

- A. To a D-ring to which another connector is attached.
- B. In a manner that would result in a load on the gate.
- C. In a false engagement, where features that protrude from the snap hook or karabiner catch on the anchor, and without visual confirmation seems to be fully engaged to the anchor point.
- D. To each other.
- E. By wrapping cable lifeline around anchorage and securing to lifeline.
- F. To any object which is shaped or dimensioned such that the snap hook or karabiner will not close and lock, or that roll-out could occur.
- G. In a manner that does not allow the connector to align properly while under load.

Safe Load Calculator (Platform structure dimensions for steel beams)

The following tables can be used to ensure the steel dimensions of the supporting structure are adequate for the GMA to be used.

Minimum required beam size for SIMPLY CANTILEVERED structure

Length [m]	1	1.5	2	2.5	3	3.5	4	4.5
Universal Columns	100 UC 14	100 UC 14	150 UC 23	150 UC 23	150 UC 23	200 UC 46	200 UC 46	200 UC 46
Universal beams	150 UB 14	150 UB 14	150 UB 14	200 UB 18	200 UB 18	250 UB 25	250 UB 25	310 UB 32
Parallel Flange Channel	100 PFC	150 PFC	150 PFC	150 PFC	200 PFC	250 PFC	250 PFC	250 PFC
Un-equal angle	125x75 UA 6	150x90 UA 12	~	~	~	~	~	~
Rectangular hollow section	100 x 50 x 5	150 x 50 x 5	200 x 100 x 5	200 x 100 x 5	200 x 100 x 5	250 x 150 x 9	250 x 150 x 9	~
Square hollow section	100 X 5	100 X 5	150 x 5	150 x 5	200 x 5	200 x 5	250 x 6	250 x 6

Length [m]	5	5.5	6	6.5	7	7.5	8	8.5
Universal Columns	200 UC 46	250 UC 72.9	250 UC 72.9	250 UC 72.9	250 UC 72.9	310 UC 118	310 UC 118	310 UC 118
Universal beams	310 UB 32	360 UB 44	360 UB 44	360 UB 44	410 UB 53	410 UB 53	460 UB 67	460 UB 67
Parallel Flange Channel	380 PFC	380 PFC	380 PFC	~	~	~	~	~
Un-equal angle	~	~	~	~	~	~	~	~
Rectangular hollow section	~	~	~	~	~	~	~	~
Square hollow section	250 x 6	~	~	~	~	~	~	~

Length [m]	9	9.5	10	10.5	11	11.5	12
Universal Columns	310 UC 118	310 UC 118	310 UC 118	~	~	~	~
Universal beams	610 UB 101	610 UB 101	~	~	~	~	~
Parallel Flange Channel	~	~	~	~	~	~	~
Un-equal angle	~	~	~	~	~	~	~
Rectangular hollow section	~	~	~	~	~	~	~
Square hollow section	~	~	~	~	~	~	~

Minimum required beam size for SIMPLY SUPPORTED structure

Length [m]	1	1.5	2	2.5	3	3.5	4	4.5
Universal Columns	100 UC 14	100 UC 14	100 UC 14	100 UC 14	100 UC 14	100 UC 14	150 UC 23	150 UC 23
Universal beams	150 UB 14	150 UB 14	150 UB 14	150 UB 14	150 UB 14	150 UB 14	150 UB 14	150 UB 14
Parallel Flange Channel	100 PFC	100 PFC	100 PFC	100 PFC	100 PFC	150 PFC	150 PFC	150 PFC
Un-equal angle	125x75 UA 6	125x75 UA 6	125x75 UA 6	125x75 UA 6	125x75 UA 6	125x75 UA 8	125x75 UA 12	~
Rectangular hollow section	100 x 50 x 6	100 x 50 x 6	100 x 50 x 6	100 x 50 x 6	150 x 100 x 6	150 x 100 x 6	150 x 100 x 6	150 x 100 x 6
Square hollow section	100 X 6	100 X 6	100 X 6	100 X 6	100 X 6	100 X 6	150 x 5	150 x 5

Length [m]	5	5.5	6	6.5	7	7.5	8	8.5
Universal Columns	150 UC 23	150 UC 23	150 UC 23	150 UC 30	150 UC 30	150 UC 30	150 UC 37.2	200 UC 46.2
Universal beams	200 UB 22	200 UB 22	200 UB 22	200 UB 22	200 UB 22	250 UB 25.7	250 UB 25.7	310 UB 32
Parallel Flange Channel	150 PFC	200 PFC	200 PFC	200 PFC	250 PFC	250 PFC	250 PFC	250 PFC
Un-equal angle	~	~	~	~	~	~	~	~
Rectangular hollow section	150 x 100 x 6	250 x 150 x 6	250 x 150 x 6	250 x 150 x 6	250 x 150 x 6	250 x 150 x 6	250 x 150 x 6	250 x 150 x 6
Square hollow section	150 x 5	150 x 5	200 x 5	200 x 5	200 x 5	200 x 5	250 X 6	250 X 6

Length [m]	9	9.5	10	10.5	11	11.5	12
Universal Columns	200 UC 46.2	200 UC 46.2	200 UC 46.2	200 UC 46.2	200 UC 59.5	200 UC 59.5	200 UC 59.5
Universal beams	310 UB 32	310 UB 32	310 UB 32	310 UB 46	310 UB 46	310 UB 46	310 UB 46
Parallel Flange Channel	300PFC	300PFC	300PFC	300PFC	380PFC	380PFC	380PFC
Un-equal angle	~	~	~	~	~	~	~
Rectangular hollow section	250 x 150 x 6	250 x 150 x 6	250 x 150 x 6	250 x 150 x 6	250 x 150 x 6	250 x 150 x 6	250 x 150 x 6
Square hollow section	250 X 6	250 X 6	250 X 6	~	~	~	~

Assumptions:

1. Maximum floor width = 1200 mm
2. The GMA sits, and is positioned so as to transfer load through 2 beams.
3. All materials are Grade 300 Mpa or better (AS3678 & AS1163)
4. Floor is fully loaded at 2.5 Kpa (typical design load) - is equivalent to 255 kg per m²
5. Floor mesh and handrails considered to be approx 50 kg per square metre.
6. A 1.25x factor has been applied to the loads, for error in estimations of operators.
7. It's assumed the beams are full restrained, buckling has not been considered.
8. 15kN fall arrest anchorage load has been used to one side. This means 2 anchorages can be used on the same device on either side.

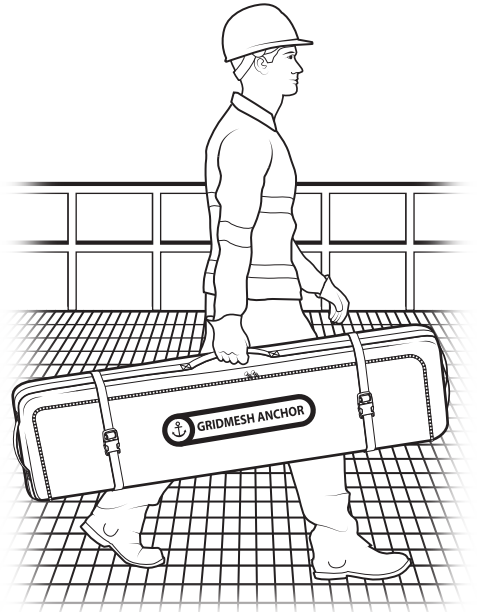
3.0 Installation

Gridmesh Anchor Installation:

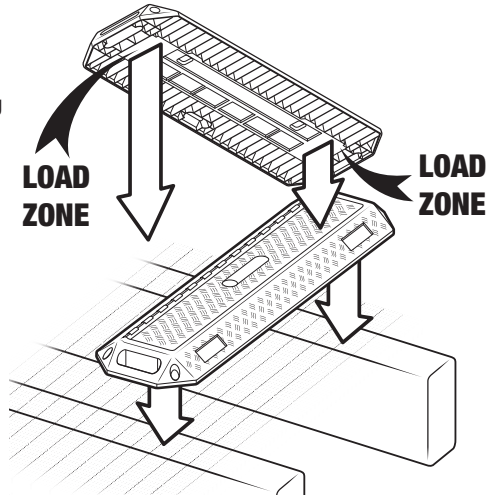
- A. GMA Assembly :** The Gridmesh Anchor assembly is intended to be used on steel structure with 1.2m centres, however can be used on narrower structures by re-orienting the device diagonally (e.g. 900mm or 750mm). The model GMA02 has additional equipment for the device to be used as a 2-person anchor.
- B. System height:** The Gridmesh Anchor should be located on a structure where the height above the surrounding work area is sufficient to enable a fall arrest without impacting the user.
- C. Evaluate System Location:** The location of the Gridmesh Anchor(s) must be determined by the user. Do not place any potential users at risk prior to their connection to a completely installed system. The GMA system is primarily designed for fall protection use, however a user could also connect a work positioning system should they required this. Utilise the chart on Page 7 to determine that the structure is suitable for use.
- D. Inspection:** Before installing the Gridmesh Anchor on the mesh, both the mesh and its structure should be visually inspected to confirm that it will hold potential fall arrest loads. If there is any doubt about the ability of the system to sustain the loads, the system should not be installed. If necessary, a structural engineer should validate the structural integrity of the component members.
- E. Risk assessment:** Prior to any job being undertaken, it is recommended that the user undertake a risk assessment and prepare a safe work method statement (SWMS) to ensure the equipment use and operation is within the manufacturer guidelines.

Steps for Installation:

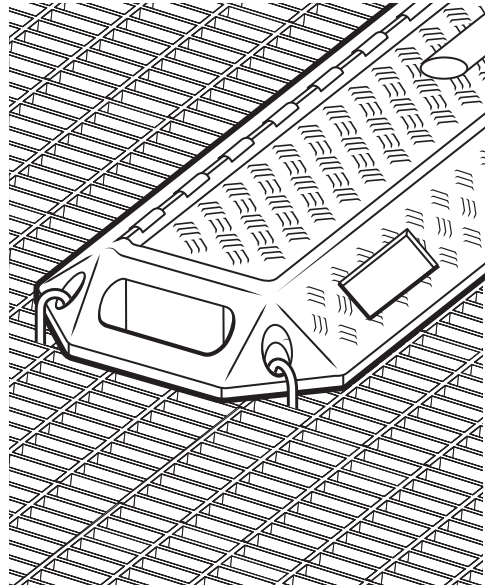
1. Using the storage bag, carry the gridmesh anchor to the desired location. Ideally there will be a user at the top of the structure to set the anchorage on the mesh and a user below the mesh to arrange connection to the equipment from below.



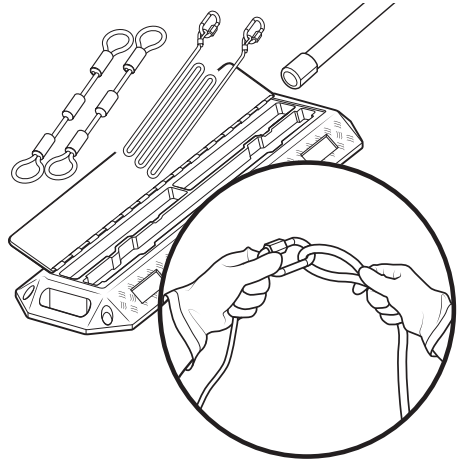
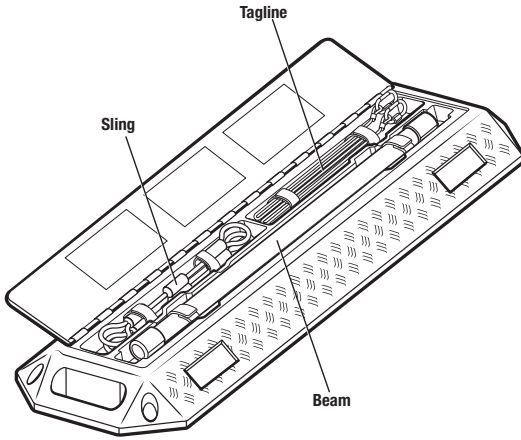
2. Open the storage bag and lay the GMA base onto the gridmesh walkway area. Be sure to align the load points of the GMA onto a location immediately above the structural members supporting the walkway. This may require placing the base diagonally to the direction of the mesh slots if the distance between the structural members is less than 1200mm.



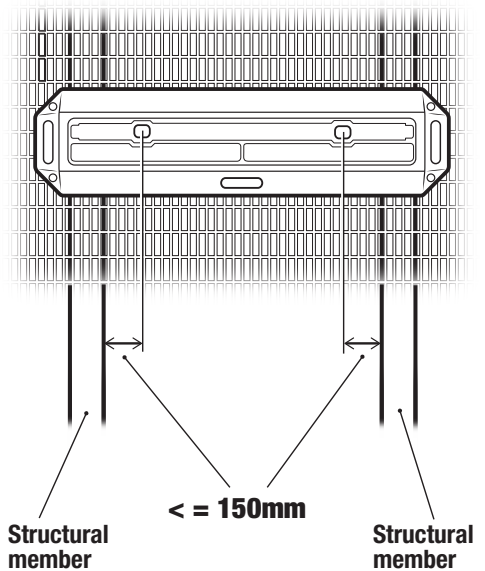
3. On structures where there is high wind, ocean swell or moving equipment, it may be appropriate to secure the GMA to the structure with rope, tool lanyards or other appropriate fastening to prevent it from moving.



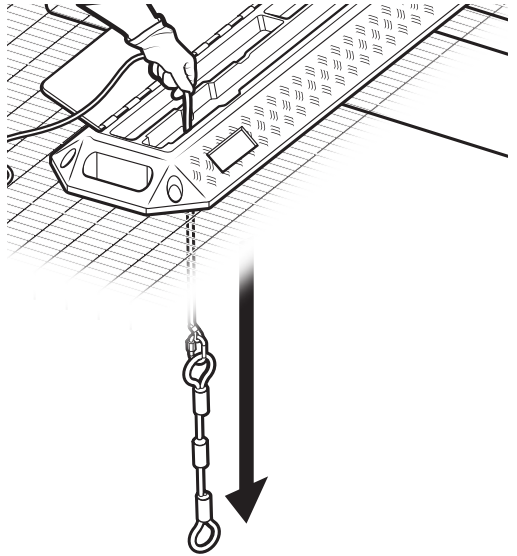
4. Open the GMA lid and remove the red rope tag line, wire sling and support beam. Connect the end of the sling to the redrope tag line.



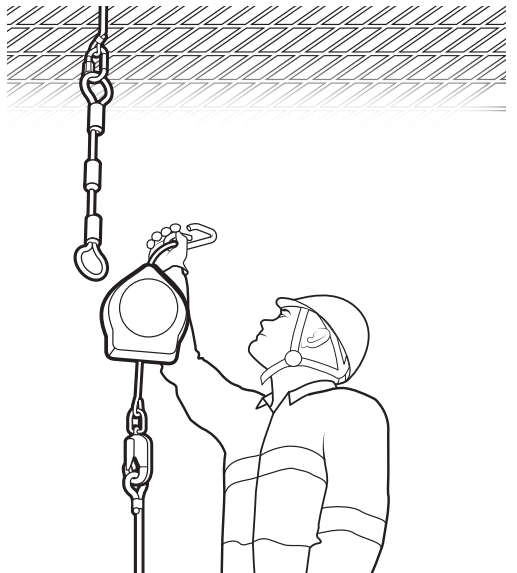
5. Align the GMA such that the location slot for the GMA sits no more than 150mm from the supporting structure below the gridmesh.



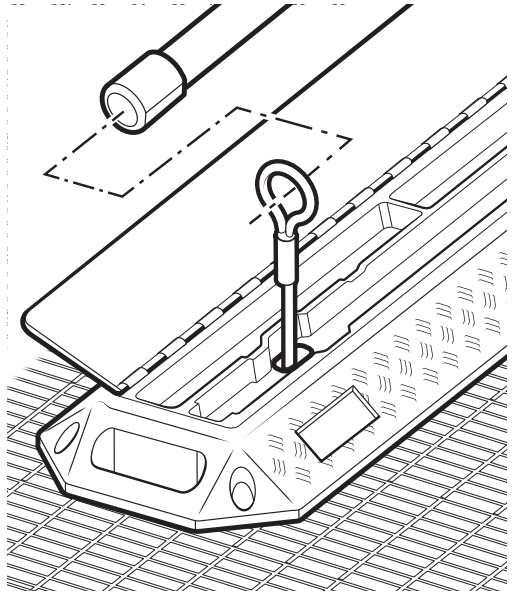
6. Lower the rope red tag line 'sling first' through the GMA base and the slot in the gridmesh. It may be necessary to squeeze the eye of the sling so that it fits through the mesh.



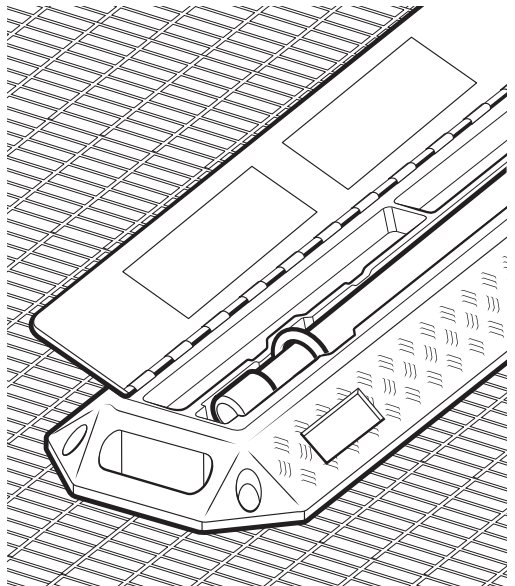
7. Once lowered, the worker below should connect a self retracting lifeline, rope or other device to be used for fall protection. They should also ensure that the green webbing tag line provided is connected to the SRL harness connector to ensure the device is accessible once set in place.



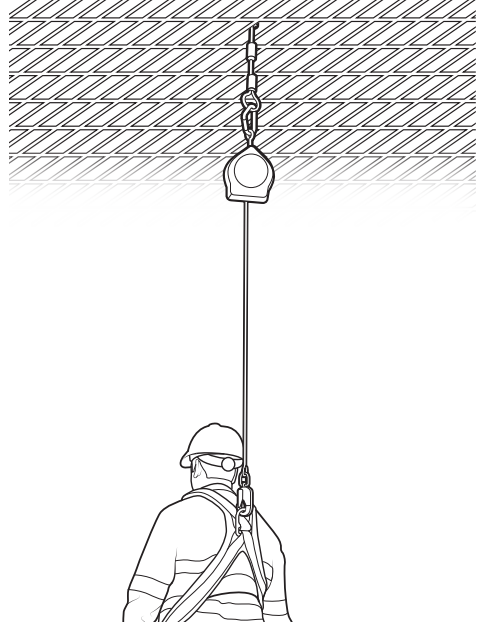
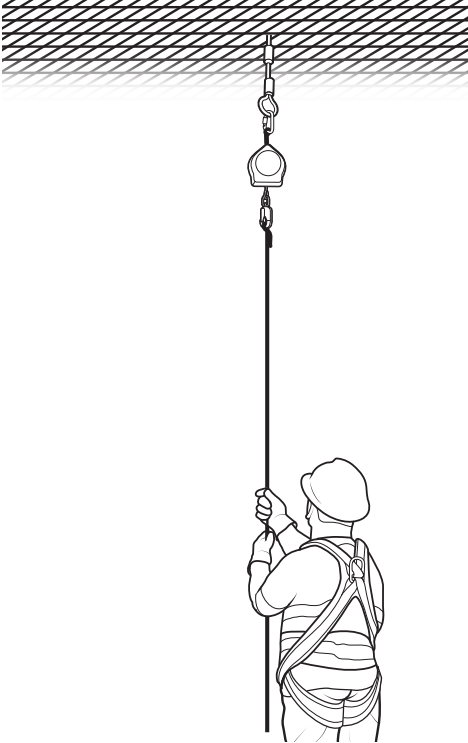
8. Raise the sling with SRL attached by hauling the connected tag line in reverse through the gridmesh, such that the end of the sling protrudes through the gridmesh and the base of the GMA. Remove red tag line.



9. Slide the GMA beam end through the sling and slide into position, such that the beam can rest into its operating position within the GMA base. The SRL is now set for use.



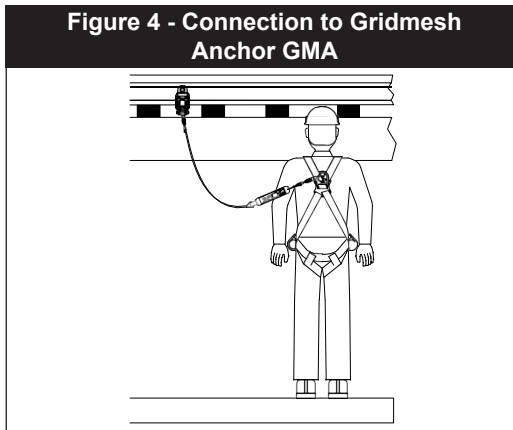
10. Once the installation is completed, the worker below the GMA will pull the tag line attached to the SRL and attach the connector to the harness. The worker is now ready to commence work.



-
11. Disassemble by following the steps listed above in reverse.

i **NOTE:** One user only per sling device - the maximum weight of each person using the device is 160kg (352 lb), providing they are using lanyards and systems manufactured by a fall protection supplier rated for 160kg.

Attachment to the Gridmesh Anchor: Figure 4 shows single-user connection to a Gridmesh Anchor GA01 for fall protection. The user's lanyard is connected to the Underside Anchor and to the harness dorsal D-Ring on the user's safety harness. Read and understand the manufacturer's instructions for use of the lanyard (or SRL) and harness before attaching to the GMA.



WARNING: The use of multiple GMA devices requires adequate structure to support the number of users. Failure to do so could result in structural failure and serious injury or death.

4.0 Operation

WARNING: Do not alter or intentionally misuse this equipment. Consult Gridmesh Anchor when using this equipment in combination with components or subsystems other than those described in this manual. Some subsystem and component combinations may interfere with the operation of this equipment. Use caution when using this equipment around moving machinery, electrical hazards, chemical hazards, sharp edges, or overhead materials that may fall onto a Gridmesh Anchor. Failure to heed this warning may result in equipment malfunction, serious injury or death.

WARNING: Consult your doctor if there is reason to doubt your fitness to safely absorb the shock from a fall arrest. Age and fitness seriously affect a worker's ability to withstand falls. Pregnant women or minors must not use self retracting lifelines. Failure to heed this warning may result in serious injury or death.

Before each use: Inspect the Gridmesh Anchor according to inspection procedures outlined in Section 5. Do not use this equipment if inspection reveals an unsafe or defective condition. Plan your use of the Gridmesh Anchor for fall protection prior to exposing workers to dangerous situations. Consider all factors affecting your safety before using the Gridmesh Anchor.

- Read and understand all manufacturers' instructions for each component of the personal fall arrest system. All harnesses and connecting sub systems are supplied with separate user instructions. Keep all instructions for future reference.
- Review section 1.2 and Section 2 to ensure system limitations and other requirements have been met. Review applicable information regarding system clearance criteria and ensure changes have not been made to the system installation (i.e. length) that could affect the required fall clearance. Do not use the system if changes are required.

Personal Fall Arrest System components: Inspect and don the full body harness according to manufacturer's instructions. Attach the connecting subsystem (Adjustable Energy Absorbing Lanyard or SRL) to the rear dorsal D-Ring fall arrest connection on the harness.



WARNING: Risk of swing falls is greater when using an SRL. Swing falls significantly increase the clearance required to arrest a fall and may result in serious injury or death. To avoid swing fall hazards, do not work beyond the operating requirements of the SRL. See Figure 1. for more information.

After Connection to the Anchor: The user must remain connected to the Gridmesh Anchor if the user is to transfer from one Gridmesh Anchor to another. The user must be protected during the transfer which can be achieved by the use of an energy absorbing twin lanyard or Self Retracting Lifeline (SRL). During the transfer the user may attach the second leg of the lanyard/SRL to the second Gridmesh Anchor before releasing from the first Gridmesh Anchor.

Hazardous Situations: Do not take unnecessary risks, such as reaching too far from the edge of the working surface. To avoid swing hazards, do not work too far from either side of the anchor.

Two persons connected: Although the Gridmesh Anchor is technically rated for one user, it can be used to connect a second user during a rescue if the structure supporting the anchor is deemed suitable.

Free Fall: According to AS/NZS1891.1, the personal fall arrest system must be installed to limit free falls to a maximum of 2m (6 ft 6 in) or less when using an energy absorbing lanyard.

Sharp edges: Avoid working where the connecting subsystem or other system components will be in contact with sharp edges or abrade against unprotected sharp edges. If working around sharp edges is unavoidable, a protective cover must be used to prevent cutting of the personal fall arrest system, or utilize a specially designed device with sharp-edge protection properties.

In the event of a fall: The responsible party must have a rescue plan and the ability to implement a rescue. Tolerable time in a full body harness is limited. Prompt rescue is critical. It may be appropriate in this circumstance for more than one GMA to be installed on a working surface to allow for the rescuer to scale a rope or other device to effect the rescue. Manufacturers of some SRLs make SRLs with emergency rescue capabilities which may overcome this issue.

Rescue: The users of this equipment should prepare a rescue system that has the equipment and technique required for a successful rescue.

System removal: The Gridmesh Anchor should be removed from the structure when it is no longer required. The steps 1 through 9 in section 4 should be followed in reverse for the GMA to be removed.

5.0 Inspection

Inspection Frequency: The Gridmesh Anchor should be periodically inspected as follows.

Before each use: An inspection of the Gridmesh Anchor by a competent person must be completed after the anchor is installed and prior to each use of the anchor. Inspect per procedures defined in 5.4.

Annual Inspection: the Gridmesh Anchor must be formally inspected by qualified Height Safety Equipment Inspector, other than the user, at least annually. Extreme working conditions may require increasing inspection frequency. Inspect per the procedures defined in record the inspection results in the Inspection and Maintenance log in the instruction.

Inspection Steps:

1. Inspect the Gridmesh Anchor components for damage or corrosion. Inspect for cracks or wear that may affect strength and operation/function.
2. Inspect the base and lid portions of the Gridmesh Anchor, ensuring there are no breaks/cut, wear or damage and that labels are present. Reflective tape can be replaced if missing.
3. Inspect the Gridmesh Anchor beam surface finish for corrosion and impact damage, ensuring the end caps are not loose and the labels are legible and present.
4. Inspect the wire sling(s) for damage including broken strands, fractured swages, wear or corrosion. Remove from service in the event of any damage noted and seek a suitable replacement from the manufacturer.
5. Record the inspection results in the in the Inspection and Maintenance log at the back of the manual, or in an alternative location system log.

i **IMPORTANT - Unsafe or Defective conditions:** If inspection reveals an unsafe or defective condition, remove the Gridmesh Anchor from service, mark "UNUSABLE" and dispose of in the recommended manner (see "Section 5 - Disposal"), or contact Gridmesh Anchor for possible repair.

Product Life: The functional life of the Gridmesh Anchor is determined by work conditions and maintenance. As long as the Gridmesh Anchor passes inspection criteria, it may remain in service.

Disposal: Dispose of the Gridmesh Anchor if it has been damaged or subjected to fall arrest forces or inspection reveals an unsafe or defective condition.

6.0 Maintenance, servicing, and storage

Gridmesh Anchor maintenance: The components require no scheduled maintenance other than repair or replacement if any are found defective during routine inspection. If component become heavily soiled with grease, paint or other substances, clean with appropriate cleaning solutions. Do not use caustic chemicals that could damage system components. Store in a clean, dry environment when not in use.

7.0 Specifications

The Gridmesh anchor has been tested in accordance with AS/NZS 5532 requirements for fall protection anchors.

Standards: The Gridmesh Anchor also complies with the strength requirements of AS/NZS1891.4 Industrial Fall Arrest Systems & Devices - Selection Use & Maintenance, ANSI Z359 and EN795.


Materials: Base and lid - Polyethylene, Anchor beam - mild galvanised steel, Sling - 6mm stainless steel cable with copper swages, tag line - polyester rope and metal connectors.

Performance:

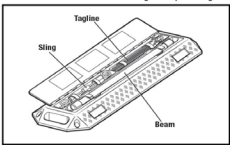
Anchor capacity	22.2kN (5,000 lb)	GMA Anchor weight	21kg
------------------------	-------------------	--------------------------	------

8.0 Marking

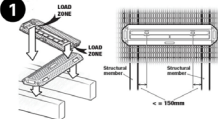
The following labels are located on the inside lid and must be present and fully legible to maintain product conformance.



Fall Protection - GA02
Gridmesh Anchor, a quick and easy to install anchor device used for working safely at height

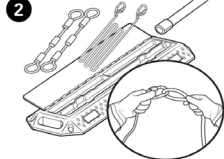


1



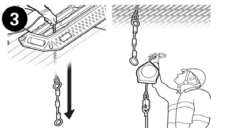
Open the storage bag and lay the GMA base onto the gridmesh walkway area. Be sure to align the load points of the GMA onto a location immediately above the structural members supporting the walkway. This may require placing the base diagonally to the direction of the mesh slots. Align the GMA such that the location slot for the GMA sits no more than 150mm from the supporting structure below the gridmesh.

2



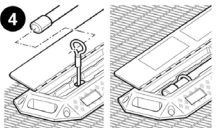
Open the GMA lid and remove the tag-line rope, sling and support beam. Connect the end of the sling to the tag line.

3



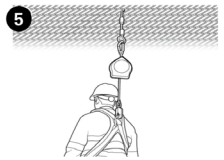
Lower the red tag line 'sling first' through the GMA base and the slot in the gridmesh. It may be necessary to squeeze the eye of the sling so that it fits through the mesh. Once lowered, the worker below should connect a self retracting lifeline, rope or other device to be used for fall protection. They should also ensure that the green webbing tag line provided is connected to the SRL harness connector to ensure the device is accessible once set in place.

4



Raise the sling with SRL attached by hauling the connected tag line in reverse through the gridmesh, such that the end of the sling protrudes through the gridmesh and the base of the GMA. Then remove red tag line. Slide the GMA beam end through the sling and slide into position, such that the beam can rest into its operating position within the GMA base. The SRL is now set for use.

5



Once the installation is completed, the worker below the GMA will pull the tag line attached to the SRL and attach the SRL connector to the harness. The worker is now ready to commence work.



Fall Protection GA02

Description of Goods and Use:

A personal fall protection anchorage device for use on structures with open grid mesh steel flooring.

Rated to
22.2kN
for personal
fall protection

gridmeshanchor.com

Manufacturer: SafetyLink Pty Ltd
Description of Goods: Gridmesh Anchor Kit

Serial Number: XXXXX
Batch Number: XXXX
Manufactured: XXXX

IMPORTANT:
Refer to User Instruction Manual for detailed operating instructions.

ONLY to be used by a competent person, trained in fall protection.

ONLY to be used in a vertical orientation. Check user manual for details on capacity of structure prior to use.

Rating: 22.2kN - up to two person use for Fall Protection

Tested to comply with the strength requirements as a fall protection anchorage device to AS/NZS 5532 and EN795. Also meets strength requirements of fall protection anchors prescribed in AS/NZS 1891.4 and ANSI Z359.

Inspection And Maintenance Log

Serial Number:	
Model Number:	
Date Purchased:	Date of First Use:

Inspection Date	Inspection items noted	Corrective action	Maintenance performed
Approved By:			
Approved By:			
Approved By:			
Approved By:			
Approved By:			
Approved By:			
Approved By:			
Approved By:			
Approved By:			
Approved By:			
Approved By:			
Approved By:			
Approved By:			

LIMITED LIFETIME WARRANTY

Warranty to End User: Gridmesh Anchor Pty Ltd (“Gridmesh Anchor”) warrants to the original end user (“End User”) that its products are free from defects in materials and workmanship under normal use and service. This warranty extends for the lifetime of the product from the date the product is purchased by the End User, in new and unused condition, from a Gridmesh Anchor authorized distributor. This warranty is provided in addition to other rights and remedies available to the End User under law.

No oral or written information or advice given by Gridmesh Anchor, its distributors, directors, officers, agents or employees shall create any different or additional warranties or in any way increase the scope of this warranty. This warranty will not apply to and Gridmesh Anchor will not accept liability for defects that result from product abuse, misuse, alteration or modification, or for defects that are due to a failure to install, maintain or use the product according to the manufacturer’s instructions.

Gridmesh Anchor’s warranty applies only to the End User. To obtain the benefit of this warranty, the End User must retain their original receipt as proof of purchase.

To claim under this warranty, the End User should return the product with an explanation of the product issue, along with the original proof of purchase, to:

GRIDMESH ANCHOR

54 Bonville Ave, Thornton, NSW 2322
Email: quality@gridmeshanchor.com

The End User must pay the cost of packaging and returning the product to Gridmesh Anchor.

Limitation of Warranty: The warranties stated in this document are exclusive and are made in place of any and all conditions, warranties or representations as to the merchantability, performance, quality or fitness for a particular purpose of the product that may be implied by law, and in place of any industry practice or custom or trade usage.

The product comes with guarantees that cannot be excluded under Australian Consumer Law. The End User is entitled to a replacement or refund for a major failure and to compensation for any other reasonably foreseeable loss or damage. The End User is also entitled to have the product repaired or replaced if the product fails to be of acceptable quality and the failure does not amount to a major failure.

Limitation of Liability: To the extent permitted by law:

- (a) Gridmesh Anchor’s maximum liability to the End User for failure to comply with a consumer guarantee in respect of the supply of the product not of a kind ordinarily acquired for personal, domestic or household use or consumption is limited, at Gridmesh Anchor’s sole discretion, to repair or replacement of the product; and
- (b) Gridmesh Anchor will not be liable for any direct, indirect, special, or consequential damages of any kind, including loss of profits, revenue or business, death, personal injury or damage to property resulting from or in any way related to Gridmesh Anchor’s products.

