

Avanti Fall Protection System

The Runner **Eagle**^{DS}
from Avanti Wind Systems

High Safety & Climbing Comfort

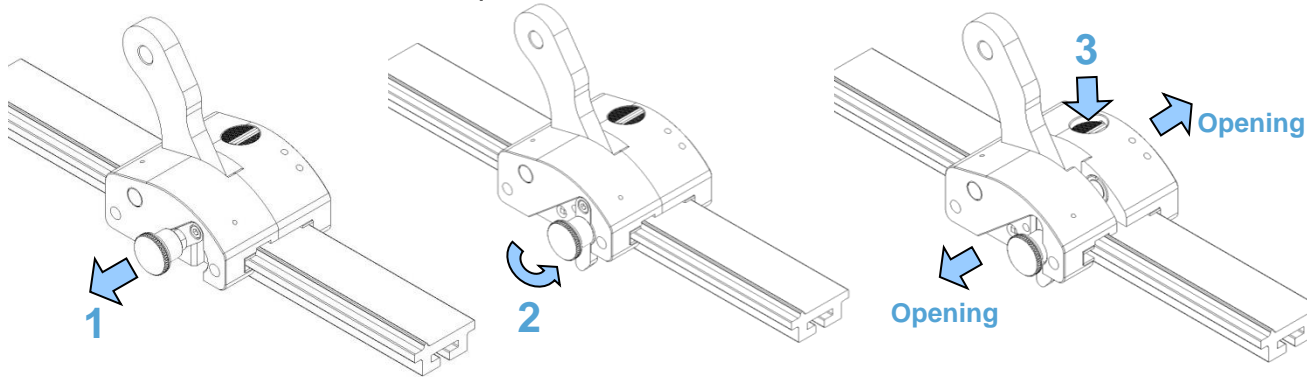
March 2015



NEW DESIGN IMPROVEMENTS (I) :

Additional Security against unintended opening:

Additional Movements needed to open the Runner



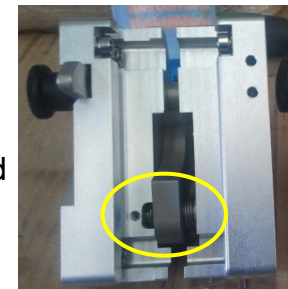
Spring(s) are now more protected:

Two new torsion springs have been added. Implemented in the inner area of the runner,



Previous version
with external traction spring

Two torsion springs protected
by the main body and the rail





AVANTI

EAGLE^{DS} RUNNER Description

NEW DESIGN IMPROVEMENTS (II):

Double Spring: Security Back up.

Eagle^{DS} Runner has been successfully tested with each of springs separately.

Easy visual Inspection for daily check.

Springs are visible by opening the Eagle^{DS} Runner as in normal operation

Increased Safety, and better comfort.

Lever and springs have been redesigned to give the user a better comfort while providing a higher level of safety due to the fact that it is not possible to climb up if the runner is not properly locked

Compatible with Avanti Product Range.

Valid for our existing Ladders, Rails, and Climb Assistance Installations

Smooth surface to avoid any interference with other elements of Harness





AVANTI EAGLE^{DS} RUNNER Description

Safety is always the highest priority for **Avanti Wind Systems**.

The **Avanti Eagle^{DS}** runner is an excellent choice for providing safety and comfort for technicians working in wind turbine towers.

The fully tested and certified **Eagle^{DS}** runner is a click-on runner. The runner is very different from other click-on runners on the market today due to the following safety and comfort features:

Built-in rollers and dual torsion springs, a double safety locking system that improves comfort during climbing using rollers. The two torsion springs are protected by the main runner body, serving as a safety back-up.

In the unlikely situation that one of the springs are damaged or lost, the user can still descend or ascend safely.

The unique double safety locking system from Avanti ensures that the **Eagle^{DS}** is always perfectly and safely mounted on the rail before and during the climb.

The new gliding design, supported by 6 rollers sliding on the rail, provides the user with a higher level of comfort while climbing up and down the ladder.

Meanwhile, the rounded design of the Eagle^{DS} body is very user friendly and easy to operate.

With the **Avanti Eagle^{DS} Runner**, you have the safest and most efficient system on the market today.

For further information, please contact your local **Avanti Wind Systems** office.

Avanti Wind Systems – Safe Work in Wind Turbines