

# WIRE STROP

CE 0082  
ANSI Z359.18

EN 795 type B: 2012  
CEN / TS 16415: 2013  
EN 354: 2010 (<200 cm)

NFFPA

Wire anchor  
Elingue d'amarrage

## WARNING / ATTENTION

Activities involving the use of this equipment are inherently dangerous. You are responsible for your own actions and decisions.

Before using this equipment, you must:  
- Read and understand all instructions for use.  
- Get specific training to proper use.  
- Become acquainted with its capabilities and limitations.  
- Understand and accept the risks involved.

**FAILURE TO HEED ANY OF THESE WARNINGS MAY RESULT IN SEVERE INJURY OR DEATH.**

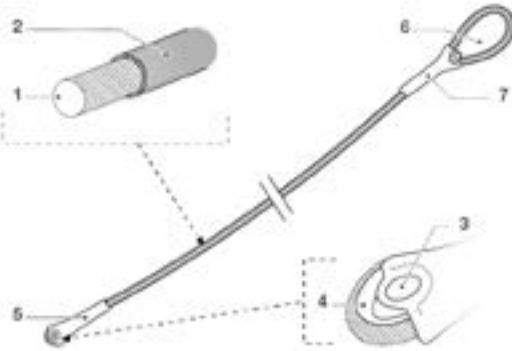
Les activités impliquant l'utilisation de cet équipement sont par nature dangereuses. Vous êtes responsable de vos actes, de vos décisions et de votre sécurité.

Avant d'utiliser cet équipement, vous devez:  
- Lire et comprendre toutes les instructions d'utilisation de cet équipement.  
- Vous former spécifiquement à l'utilisation de cet équipement.  
- Vous familiariser avec ses capacités et ses limites, et accepter les risques impliqués.

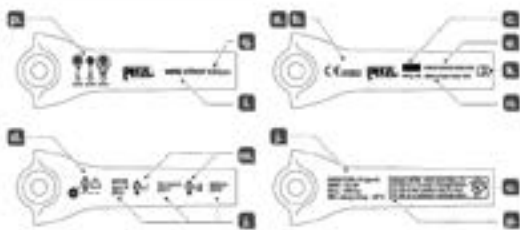
**LE NON-RESPECT D'UN SEUL DE CES AVERTISSEMENTS PEUT ÊTRE LA CAUSE DE BLESSURES GRAVES OU MORTELLES.**

### 1. Field of application (text part) Champ d'application (texte text)

### 2. Nomenclature



### Traceability and markings Traçabilité et marquage



### NFFPA CERTIFICATION FOR WIRE STROP

MEETS THE MULTIPLE CONFIGURATION STRAP REQUIREMENTS OF NFFPA 1963, STANDARD ON LIFE SAFETY ROPE AND EQUIPMENT FOR EMERGENCY SERVICES, 2017 EDITION. MINIMUM BREAKING STRENGTH AND RATING ARE DETERMINED USING A BASKET (U) CONFIGURATION. IN ADDITION, THIS STRAP HAS A MINIMUM BREAKING STRENGTH OF:  
23 kN IN A CHOKER CONFIGURATION  
23 kN WHEN PULLED END TO END.



**Emergency Services Multiple Configuration Strap in accordance with NFFPA 1963-2017 T (TECHNICAL USE) MBS 35kN**

Exposure of the strap to flame or high temperature beyond these limits could cause the strap to melt, burn and fall. Take care to protect the strap from such exposure during use, transport, storage, etc. Read this notice carefully and keep it in a permanent record for reference after it is removed from the strap. Any user of the strap should be provided with a copy of this notice for reference before and after each use.

Additional information regarding multiple configuration strap can be found in NFFPA 1500 and NFFPA 1963.

**WORKING LOAD LIMIT: 300 kg**

### CERTIFICATION NFFPA POUR WIRE STROP

CONFORME AUX EXIGENCES DES ANORAGES À CONFIGURATION MULTIPLE DE LA NFFPA 1963, STANDARD ON LIFE SAFETY ROPE AND EQUIPMENT FOR EMERGENCY SERVICES, 2017 EDITION. LES CHARGES DE RUPTURE MINIMUM SONT DÉTERMINÉES EN CONFIGURATION BASKET (U). EN COMPLÉMENT, CETTE SANGLE À UNE CHARGE DE RUPTURE MINIMUM DE :  
23 kN EN CONFIGURATION ÉTRANGLEUSE  
23 kN EN TRACTION DIRECTE.

L'exposition de la sangle à la flamme ou à de hautes températures au-delà de ces limites, peut la faire fondre, brûler et tomber. Prenez soin de protéger la sangle de ces cas pendant l'utilisation, le transport, le stockage, etc. Lisez attentivement cette notice et conservez-la dans un registre après avoir retiré de la sangle. Tous les utilisateurs de cette sangle doivent recevoir une copie de cette notice comme référence avant et après chaque utilisation.

Des informations complémentaires concernant les configurations avec plusieurs sangles sont disponibles dans la NFFPA 1500 et la NFFPA 1963.

**CHARGE D'UTILISATION MAXIMUM : 300 kg**

### 3. Inspection, points to verify Contrôle, points à vérifier

PPE checking  
Vérification EPI  
PETZL.COM



### 4. Compatibility (text part) Compatibilité (texte text)

**ANCHORAGE CONNECTOR IN ACCORDANCE WITH ANSI/ASSE Z359.18 type A**

**CONNECTEUR D'ANCRAGE CONFORME À ANSI/ASSE Z359.18 type A**



Warning symbols  
Panneaux d'alertes

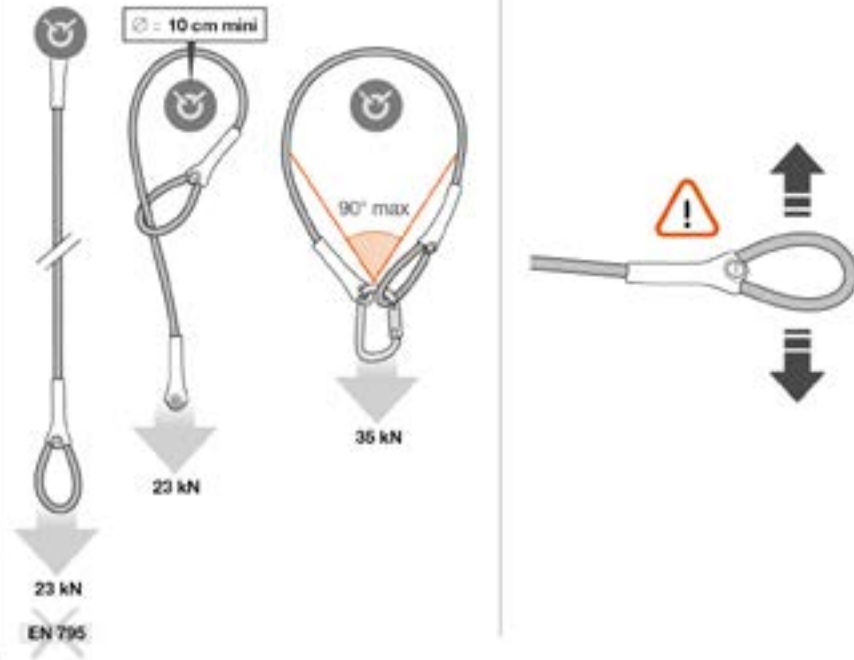


PETZL  
FR-38920 Croixes  
Cidex 105A  
PETZL.COM  
ISO 9001 © Petzl  
Tel. +33(0)4 76 92 09 00  
Made in Taiwan

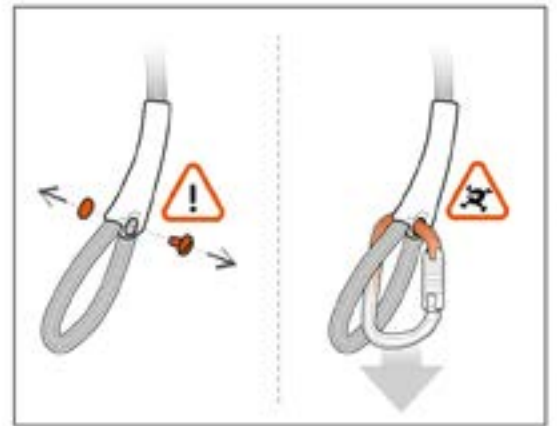
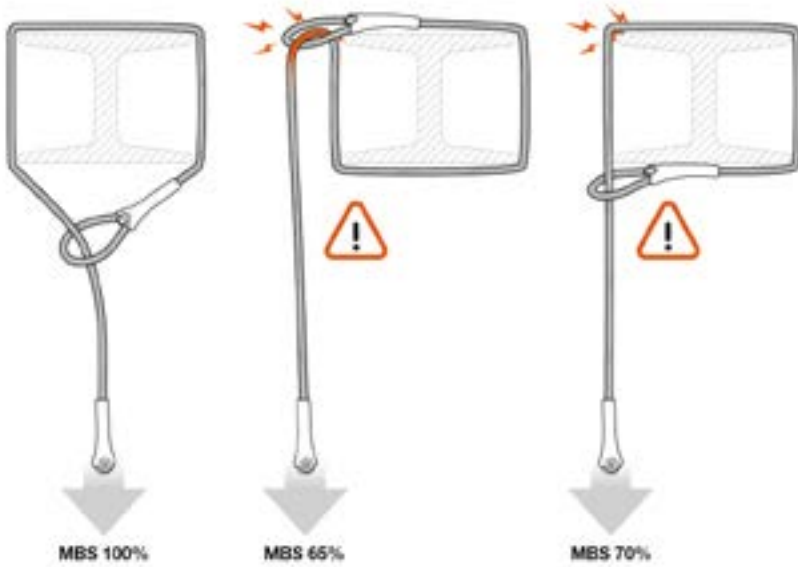
**PETZL** Sustaining our Community  
Au service de la Communauté  
Fondation FONDATION-PETZL.ORG

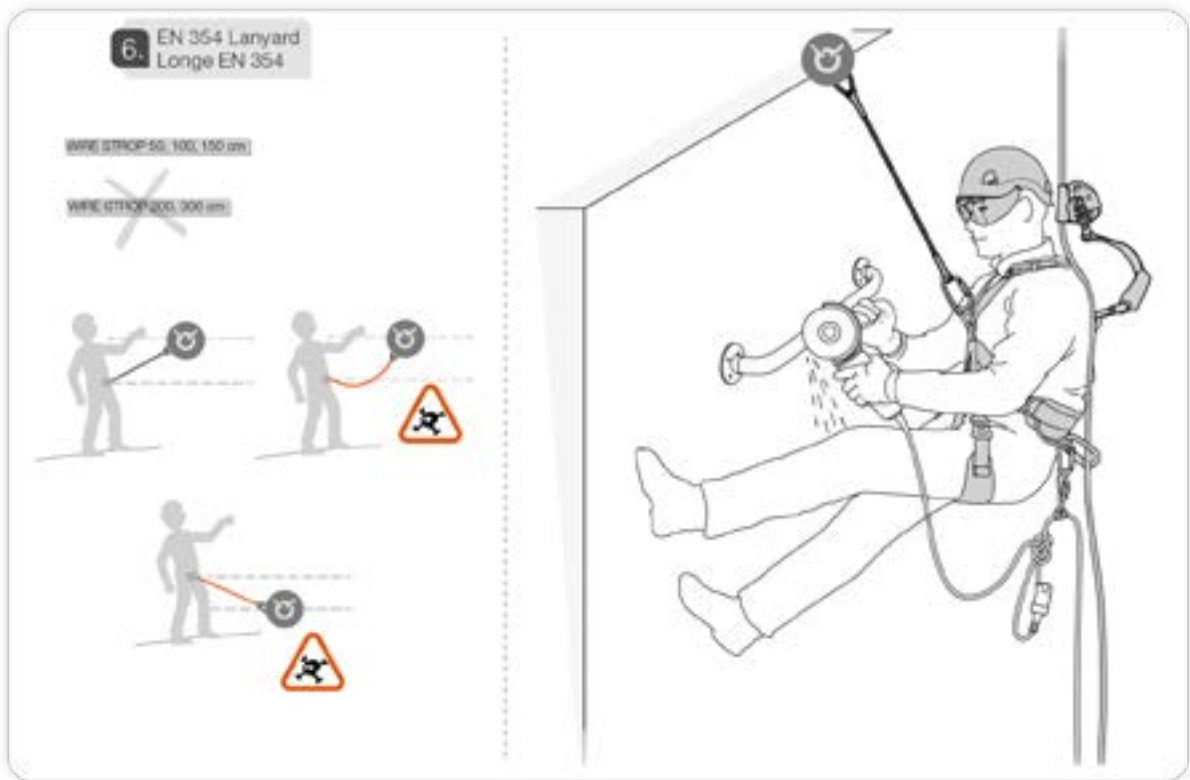


5. Installation and strength  
Installation et résistance



Xxxxx:  
Placement :





**7. Additional information  
Informations complémentaires**

**A. Lifetime / Durée de vie**  
 unlimited / illimitée

**B. Acceptable T°  
T° tolérées**  
 + 80°C / + 176°F  
 - 40°C / - 40°F

**C. Precautions for use / Précautions d'usage**  
 etc...

**D. Cleaning / Nettoyage**  
 + 30°C max.  
 + 86°F max.

**E. Drying / Séchage**  
 + 30°C max.  
 + 86°F max.

**F. Storage - Transport  
Stockage - transport**  


**G. Maintenance  
Entretien**  


**H. Modifications - Repairs  
Modifications - Réparations**  
 → Petal

**I. FAQ - Contact  
Questions - Contact**  
 → petal.com

These instructions explain how to correctly use your equipment. Only certain techniques and uses are described.  
The warning symbols inform you of some potential dangers related to the use of your equipment, but it is impossible to describe them all. Check Petzl.com for updates and additional information.  
You are responsible for heeding each warning and using your equipment correctly. Any misuse of this equipment will create additional dangers. Contact Petzl if you have any doubts or difficulty understanding these instructions.

## 1. Field of application

Personal protective equipment (PPE) used for fall protection.  
Anchor strap.  
Type B temporary anchor device (EN 795: 2012 type B), for single-person use only.  
Anchor device compliant with CEN/TS 16415: two-person use.  
EN 354: 2010 lanyard.  
Do not use this equipment as a means of hoisting.  
This product must not be pushed beyond its limits, nor be used for any purpose other than that for which it is designed.

## Responsibility

**WARNING**  
**Activities involving the use of this equipment are inherently dangerous. You are responsible for your own actions, decisions and safety.**

Before using this equipment, you must:  
- Read and understand all Instructions for Use.  
- Get specific training in its proper use.  
- Become acquainted with its capabilities and limitations.  
- Understand and accept the risks involved.

### Failure to heed any of these warnings may result in severe injury or death.

This product must only be used by competent and responsible persons, or those placed under the direct and visual control of a competent and responsible person. You are responsible for your actions, your decisions and your safety and you assume the consequences of same. If you are not able, or not in a position to assume this responsibility, or if you do not fully understand the Instructions for Use, do not use this equipment.

## 2. Nomenclature

(1) Cable, (2) Sheath, (3) Carabiner attachment hole, (4) Thimble, (5) Sleeve, (6) Attachment loop, (7) Sleeve with screw-in plug.  
Materials: galvanized steel, stainless steel, aluminum, polyurethane.

## 3. Inspection, points to verify

Your safety depends upon the integrity of your equipment.  
Petzl recommends a detailed inspection by a competent person at least once every 12 months (depending on current regulations in your country, and your conditions of usage) and after any exceptional event, such as an arrested fall or if the product itself fails. Warning: your intensity of use may cause you to inspect your PPE more frequently. Follow the procedures described at Petzl.com. Record the results on your PPE inspection form: type, model, manufacturer contact info, serial number or individual number, dates: manufacture, purchase, first use, next periodic inspection; problems, comments, inspector's name and signature.  
It is recommended that you write the next inspection date on your product.

### Before each use

Check the condition of the sheath and the cable (absence of deformation, cracks, marks, wear, corrosion...). If the condition of the sheath prevents checking the condition of the cable, discontinue use of the product. Check the condition of the thimble and sleeves, and that the connector is properly held in position.

### During use

It is important to regularly monitor the condition of the product and its connections to the other equipment in the system. Make sure that all items of equipment are correctly positioned with respect to each other.

## 4. Compatibility

Verify that this product is compatible with the other elements of the system in your application (compatible = good functional interaction).  
Equipment used with your anchor must meet current standards in your country (e.g. EN 362 connectors).

## 5. Installation and strength

WIRE STROP may be used in single mode (strength 23 kN), choked around a structure (strength 23 kN) or wrapped around a structure (strength 35 kN with a maximum angle of 90° between the two arms of the strap). The strength values are measured on a structure identical to the one used during certification. The strength of the anchor is no greater than the strength of the choked or wrapped structure.  
Choked configuration:

When choking around a structure, equalize the strap for optimal strength.  
Use a strap length suitable for the situation: one which enables you to maintain a maximum angle of 90° when wrapping around a structure. If the angle is greater, use a longer strap.  
Beware of the structure's surface and angles that are too sharp which could damage the strap.  
Do not remove the plug from the sleeve: risk of accidentally making an attachment that has no strength.

## 6. EN 354 lanyard

WIRE STROP 50, 100 and 150 cm only.  
The cable lanyard cannot absorb the energy of a fall; keep the lanyard taut between the user and the anchor to avoid any risk of a fall.  
A lanyard must not be used to arrest a fall, if it is not attached to an energy absorber (e.g. ABSORBICA). The total length of a lanyard connected to an energy absorber must not exceed 2 m (including ends and connectors).  
Before starting work, if you think there is a risk of the lanyard coming into contact with a sharp edge, be sure to take appropriate precautions.  
Avoid areas where there is a fall risk.  
This lanyard is not designed for making choker hitches.  
Two lanyards, each equipped with an energy absorber, should not be used in parallel.

## 7. Additional information

This product meets the requirements of Regulation (EU) 2016/425 on personal protective equipment. The EU declaration of conformity is available at Petzl.com.  
- Only one fall-arrest or positioning system may be connected to the attachment points.

- When the anchor device is used as part of a fall-arrest system, the user must be equipped with a means of limiting the impact force, exerted on the user when the fall is arrested, to a maximum value of 6 kN.
- The maximum load that can be transmitted to the structure by the anchor strap is 23 kN in the choked configuration, and 35 kN when wrapped around the structure.
- The anchor may elongate 20 mm when under load.
- Beware of corrosive environments that could degrade the product.
- You must have a rescue plan and the means to rapidly implement it in case of difficulties encountered while using this equipment.
- The anchor or structural anchor point should preferably be located above the user's position and meet the requirements of EN 795 (12 kN minimum strength).
- In a fall-arrest system, it is essential to check the required clearance below the user before each use, in order to avoid hitting the ground or an obstacle in the event of a fall.
- Make sure that the anchor point is correctly positioned, in order to limit the risk and the length of a fall. Be sure to stay below the anchor point to reduce the risk of damaging the product in case of a fall.
- A fall-arrest harness is the only device allowable for supporting the body in a fall-arrest system.
- When using multiple items of equipment, a dangerous situation can arise in which the safety function of an item of equipment can be affected by the safety function of another item of equipment.
- WARNING - DANGER: make sure that your products do not rub against abrasive or sharp surfaces, and that they do not come into contact with flame or high temperatures that could melt, burn or break them.
- Users must be medically fit for activities at height. WARNING: inert suspension in a harness can result in serious injury or death.
- The Instructions for Use for each item of equipment used in conjunction with this product must be followed.
- The Instructions for Use must be provided to the user of this equipment, in the language of the country where the equipment is used.
- Make sure the markings on the product are legible.

### ANSI/ASSE Z359.18 specifics

- WIRE STROP has been tested to the requirements of the ANSI/ASSE Z359.18 standard. Warning: compliance with this standard does not extend to structural anchor points or to the anchors to which the equipment will be connected. In this context, the structural anchor point or the anchor should have a strength of 5000 pounds (22.2 kN), but a lower strength may be acceptable depending on applicable legislation in your situation. In this case, the anchor must be approved by a competent person before use.  
If the equipment's inspection or maintenance date has passed, attach a label indicating that the equipment must not be used until the inspection has been done.

### When to retire your equipment:

WARNING: an exceptional event can lead you to retire a product after only one use, depending on the type and intensity of usage and the environment of usage (harsh environments, marine environments, sharp edges, extreme temperatures, chemicals...).

A product must be retired when:

- It is over 10 years old and made of plastic or textiles.
- It has been subjected to a major fall or load.
- It fails to pass inspection. You have any doubt as to its reliability.
- You do not know its full usage history.
- When it becomes obsolete due to changes in legislation, standards, technique or incompatibility with other equipment...

Destroy these products to prevent further use.

### Icons:

**A. Unlimited lifetime - B. Marking - C. Acceptable temperatures - D. Usage precautions - E. Cleaning - F. Drying - G. Storage/transport - H. Maintenance - I. Modifications/repairs** (prohibited outside of Petzl facilities, except replacement parts) - **J. Questions/contact**

### 3-year guarantee

Against any material or manufacturing defect. Exclusions: normal wear and tear, oxidation, modifications or alterations, incorrect storage, poor maintenance, negligence, uses for which this product is not designed.

### Warning symbols

1. Situation presenting an imminent risk of serious injury or death. 2. Exposure to a potential risk of accident or injury. 3. Important information on the functioning or performance of your product. 4. Equipment incompatibility.

### Traceability and markings

a. Meets PPE regulatory requirements. Notified body performing the EU type examination - b. Number of the notified body responsible for the production control of this PPE - c. Traceability: datamatrix - d. Positioning relative to the anchor; stay below the anchor point to reduce the potential fall distance and the risk of a pendulum - e. Serial number - f. Year of manufacture - g. Month of manufacture - h. Batch number - i. Individual identifier - j. Standards - k. Carefully read the Instructions for Use - l. Model identification - m. For single-person use only (EN 795) or for two-person use (TS 16415) - n. Manufacturer address - o. NFPA certification body - p. Strength depending on placement on the structure - q. Length

Cette notice explique comment utiliser correctement votre équipement. Seuls certains usages et techniques sont présentés.

Les panneaux d'alerte vous informent de certains dangers potentiels liés à l'utilisation de votre équipement, mais il est impossible de tous les décrire. Prenez connaissance des mises à jour et informations complémentaires sur Petzl.com. Vous êtes responsable de la prise en compte de chaque alerte et de l'utilisation correcte de votre équipement. Toute mauvaise utilisation de cet équipement sera à l'origine de dangers additionnels. Contactez Petzl si vous avez des doutes ou des difficultés de compréhension.

## 1. Champ d'application

Équipement de protection individuelle (EPI) contre les chutes de hauteur.

Élingue d'amarrage.

Dispositif d'ancrage temporaire de type B (EN 795 : 2012 type B), réservé à l'usage d'une seule personne.

Dispositif d'ancrage conforme à CEN/TS 16415 : usage par deux personnes.

Longe EN 354 : 2010.

N'utilisez pas cet équipement comme moyen de levage.

Ce produit ne doit pas être sollicité au-delà de ses limites ou dans toute autre situation que celle pour laquelle il est prévu.

## Responsabilité

### ATTENTION

Les activités impliquant l'utilisation de cet équipement sont par nature dangereuses.

**Vous êtes responsable de vos actes, de vos décisions et de votre sécurité.**

Avant d'utiliser cet équipement, vous devez :

- Lire et comprendre toutes les instructions d'utilisation.
- Vous former spécifiquement à l'utilisation de cet équipement.
- Vous familiariser avec votre équipement, apprendre à connaître ses performances et ses limites.
- Comprendre et accepter les risques induits.

**Le non-respect d'un seul de ces avertissements peut être la cause de blessures graves ou mortelles.**

Ce produit ne doit être utilisé que par des personnes compétentes et avisées ou placées sous le contrôle visuel direct d'une personne compétente et avisée.

Vous êtes responsable de vos actes, de vos décisions et de votre sécurité et en assumez les conséquences. Si vous n'êtes pas en mesure d'assumer cette responsabilité, ou si vous n'avez pas bien compris les instructions d'utilisation, n'utilisez pas cet équipement.

## 2. Nomenclature

(1) Câble, (2) Gaine, (3) Trou de connexion de mousqueton, (4) Cosse, (5) Manchon, (6) Boucle de connexion, (7) Manchon avec bouchon vissé.

Matériaux : acier galvanisé, acier inoxydable, aluminium, polyuréthane.

## 3. Contrôle, points à vérifier

Votre sécurité est liée à l'intégrité de votre équipement.

Petzl conseille une vérification approfondie, par une personne compétente, au minimum tous les 12 mois (en fonction de la réglementation en vigueur dans votre pays et de vos conditions d'utilisation) et après tout événement exceptionnel, comme l'arrêt d'une chute ou une chute du produit lui-même. Attention, l'intensité de votre usage peut vous amener à vérifier plus fréquemment votre EPI. Respectez les modes opératoires décrits sur le site Petzl.com. Enregistrez les résultats sur la fiche de vie de votre EPI : type, modèle, coordonnées du fabricant, numéro de série ou numéro individuel, dates : fabrication, achat, première utilisation, prochains examens périodiques, défauts, remarques, nom et signature du contrôleur. Il est recommandé d'écrire la prochaine date d'inspection sur votre produit.

### Avant toute utilisation

Vérifiez l'état de la gaine et du câble (absence de déformations, fissures, marques, usures, corrosion...). Si l'état de la gaine ne permet pas de vérifier l'état du câble, n'utilisez plus votre produit. Vérifiez l'état de la cosse, des manchons et le bon maintien du mousqueton.

### Pendant l'utilisation

Il est important de contrôler régulièrement l'état du produit et de ses connexions avec les autres équipements du système. Assurez-vous du bon positionnement des équipements les uns par rapport aux autres.

## 4. Compatibilité

Vérifiez la compatibilité de ce produit avec les autres éléments du système dans votre application (compatibilité = bonne interaction fonctionnelle).

Les éléments utilisés avec votre amarrage doivent être conformes aux normes en vigueur dans votre pays (connecteurs EN 362 par exemple).

## 5. Installation et résistance

WIRE STROP peut être utilisée en simple (résistance 23 kN), en étranglement d'une structure (résistance 23 kN) ou en ceinturage d'une structure (résistance 35 kN avec un angle de 90° maximum entre les deux brins de l'élingue). Les valeurs de résistance sont mesurées sur une structure identique à celle utilisée lors de la certification. La résistance de l'ancrage ne peut dépasser la résistance de la structure étranglée ou ceinturée.

Placement en étranglement :

En étranglement de structure, équilibrez l'élingue pour conserver une résistance optimale.

Utilisez une élingue de longueur adaptée à votre situation, permettant de maintenir un angle de 90° maximum lorsque vous ceinturez une structure. Si l'angle est plus ouvert, utilisez une élingue plus longue.

Attention à l'état de surface de la structure et aux angles trop francs qui pourraient endommager l'élingue.

Ne démontez pas le bouchon vissé du manchon, risque d'une connexion accidentelle sans aucune résistance.

## 6. Longe EN 354

WIRE STROP 50, 100 et 150 cm uniquement.

La longe en câble ne peut pas absorber d'énergie de chute, gardez la longe tendue entre l'utilisateur et l'ancrage pour éviter tout risque de chute.

Une longe ne doit pas être utilisée pour l'arrêt des chutes, si elle n'est pas connectée à un absorbeur d'énergie (par exemple ABSORBICA). La longueur totale d'une longe connectée à un absorbeur d'énergie ne doit pas dépasser 2 m (extrémités et connecteurs inclus).

Si vous considérez avant le début des travaux qu'il y a un risque de contact de la longe avec une arête tranchante, veillez à prendre les précautions appropriées. Évitez les zones où il y a un risque de chute.

Cette longe n'est pas conçue pour former des nœuds coulants.

Il convient de ne pas utiliser en parallèle deux longues munies chacune d'un absorbeur d'énergie.

## 7. Informations complémentaires

Ce produit est conforme au règlement (UE) 2016/425 relatif aux équipements de protection individuelle. La déclaration de conformité UE est disponible sur Petzl.com.

- Un seul système d'arrêt des chutes ou de positionnement peut être connecté aux points d'attache.

- Lorsque le dispositif d'ancrage est utilisé en tant que partie d'un système d'antichute, l'utilisateur doit être équipé d'un moyen permettant de limiter les forces dynamiques maximales, exercées sur l'utilisateur lors de l'arrêt des chutes, à une valeur maximale de 6 kN.

- La charge maximale susceptible d'être transmise à la structure par l'élingue d'amarrage est de l'ordre de 23 kN en installation étriangleuse et de l'ordre de 35 kN en ceinturage de la structure.

- Il peut y avoir un allongement de 20 mm de l'amarrage sous charge.

- Attention aux environnements corrosifs qui pourraient dégrader le produit.

- Prévoyez les moyens de secours nécessaires pour intervenir rapidement en cas de difficultés.

- L'ancrage ou la structure d'amarrage doit être de préférence situé(e) au-dessus de la position de l'utilisateur et répondre aux exigences EN 795 (résistance minimum 12 kN).

- Dans un système d'arrêt des chutes, il est essentiel de vérifier l'espace libre requis sous l'utilisateur, avant chaque utilisation, afin d'éviter toute collision avec le sol, ou un obstacle, en cas de chute.

- Veillez à ce que le point d'amarrage soit correctement positionné, afin de limiter le risque et la hauteur de chute. Veillez à rester sous le point d'ancrage pour limiter le risque d'endommagement du produit en cas de chute.

- Un harnais d'antichute est le seul dispositif de préhension du corps qu'il soit permis d'utiliser dans un système d'arrêt des chutes.

- Un danger peut survenir lors de l'utilisation de plusieurs équipements dans laquelle la fonction de sécurité de l'un des équipements peut être affectée par la fonction de sécurité d'un autre équipement.

- ATTENTION DANGER, veillez à ce que vos produits ne frottent pas sur des matériaux abrasifs ou pièces coupantes, ou ne se trouvent pas au contact de flammes ou hautes températures qui pourraient les faire fondre, brûler ou rompre.

- Les utilisateurs doivent être médicalement aptes aux activités en hauteur. ATTENTION, être suspendu et inerte dans un harnais peut déclencher des troubles physiologiques graves ou la mort.

- Les instructions d'utilisation définies dans les notices de chaque équipement associé à ce produit doivent être respectées.

- Les instructions d'utilisation doivent être fournies à l'utilisateur de cet équipement dans la langue du pays d'utilisation.

- Assurez-vous de la lisibilité des marquages sur le produit.

### Spécificités ANSI/ASSE Z359.18

- WIRE STROP a été testée selon les exigences de la norme ANSI/ASSE Z359.18.

Attention, la conformité à cette norme ne s'étend pas aux structures d'amarrage ou aux ancrages auxquels l'équipement sera connecté. Dans ce cadre, la structure d'amarrage ou l'ancrage devrait avoir une résistance de 5000 livres (22,2 kN), mais une résistance inférieure peut être acceptable en fonction de la législation applicable dans votre situation. Dans ce cas, l'ancrage doit avoir été approuvé par une personne compétente.

Si la date de vérification ou d'entretien de l'équipement est dépassée, apposez un marquage indiquant de ne pas utiliser l'équipement tant que la vérification n'a pas été réalisée.

### Mise au rebut :

ATTENTION, un événement exceptionnel peut vous conduire à rebouter un produit après une seule utilisation (type et intensité d'utilisation, environnements d'utilisation : milieux agressifs, milieux marins, arêtes coupantes, températures extrêmes, produits chimiques...).

Un produit doit être rebuté quand :

- Il a plus de 10 ans et est composé de plastique ou de textile.
- Il a subi une chute ou un effort important.
- Le résultat des vérifications du produit n'est pas satisfaisant. Vous avez un doute sur sa fiabilité.
- Vous ne connaissez pas son historique complet d'utilisation.
- Quand son usage est obsolète (évolution législative, normative, technique ou incompatibilité avec d'autres équipements...).

Détruisez ces produits pour éviter une future utilisation.

### Pictogrammes :

**A. Durée de vie illimitée - B. Marquage - C. Températures tolérées - D. Précautions d'usage - E. Nettoyage - F. Séchage - G. Stockage/transport - H. Entretien - I. Modifications/réparations** (interdites hors des ateliers Petzl, sauf pièces de rechange) - **J. Questions/contact**

### Garantie 3 ans

Contre tout défaut de matière ou fabrication. Sont exclus : usure normale, oxydation, modifications ou retouches, mauvais stockage, mauvais entretien, négligences, utilisations pour lesquelles ce produit n'est pas destiné.

### Panneaux d'alerte

1. Situation présentant un risque imminent de blessure grave ou mortelle. 2. Exposition à un risque potentiel d'incident ou de blessure. 3. Information importante sur le fonctionnement ou les performances de votre produit. 4. Incompatibilité matérielle.

### Traçabilité et marquage

a. Conforme aux exigences du règlement EPI. Organisme notifié pour l'examen UE de type - b. Numéro de l'organisme notifié pour le contrôle de production de cet EPI - c. Traçabilité : datamatrix - d. Positionnement par rapport à l'ancrage : restez sous le point d'ancrage pour limiter la hauteur de chute et le risque de pendule - e. Numéro individuel - f. Année de fabrication - g. Mois de fabrication - h. Numéro de lot - i. Identifiant individuel - j. Normes - k. Lire attentivement la notice technique - l. Identification du modèle - m. Réservé à l'usage d'une seule personne (EN 795) ou de deux personnes (TS 16415) - n. Adresse du fabricant - o. Organisme de certification NFPA - p. Résistance selon le placement sur la structure - q. Longueur

In dieser Gebrauchsanweisung wird erklärt, wie Sie Ihr Produkt richtig verwenden. Es werden nur einige der Verwendungen und Techniken dargestellt. Die Warnhinweise informieren Sie über mögliche Gefahren bezüglich der Verwendung Ihres Produkts. Es ist jedoch nicht möglich, alle erwägbareren Fälle zu beschreiben. Bitte nehmen Sie Kenntnis von den Aktualisierungen und zusätzlichen Informationen auf Petzl.com.

Sie sind für die Beachtung der Warnhinweise und für die sachgemäße Verwendung Ihres Produkts verantwortlich. Jede fehlerhafte Verwendung des Produkts bedeutet eine zusätzliche Gefahrenquelle. Wenn Sie Zweifel haben oder etwas nicht richtig verstehen, wenden Sie sich bitte an Petzl.

## 1. Anwendungsbereich

Persönliche Schutzausrüstung (PSA) zum Schutz gegen Absturz.

Anschlagschlinge.

Temporäre Anschlageneinrichtung Typ B (EN 795: 2012 Typ B) für die Benutzung durch eine Person.

Anschlageneinrichtung gemäß CEN/TS 16415: Verwendung durch zwei Personen.

Verbindungsmittel EN 354: 2010.

Benutzen Sie diese Ausrüstung nicht zum Hochziehen von Lasten.

Dieses Produkt darf nicht über seine Grenzen hinaus belastet werden. Es darf ausschließlich zu dem Zweck verwendet werden, für den es entwickelt wurde.

## Haftung

### WARNUNG

**Aktivitäten, bei denen diese Ausrüstung zum Einsatz kommt, sind naturgemäß gefährlich.**

**Für Ihre Handlungen, Entscheidungen und für Ihre Sicherheit sind Sie selbst verantwortlich.**

Vor dem Gebrauch dieser Ausrüstung müssen Sie:

- Die Gebrauchsanleitung vollständig lesen und verstehen.
- Fachgerecht zur richtigen Benutzung der Ausrüstung ausgebildet sein.
- Sich mit Ihrer Ausrüstung vertraut machen, die Möglichkeiten und Grenzen kennen lernen.
- Die mit dem Einsatz verbundenen Risiken verstehen und akzeptieren.

**Die Nichtberücksichtigung auch nur einer dieser Warnungen kann zu schweren Verletzungen oder sogar Tod führen.**

Dieses Produkt darf nur von kompetenten und besonnenen Personen verwendet werden oder von Personen, die unter der direkten Aufsicht und visuellen Kontrolle einer kompetenten und besonnenen Person stehen.

Sie sind für Ihre Handlungen, Entscheidungen und für Ihre Sicherheit verantwortlich und tragen die Konsequenzen. Wenn Sie nicht in der Lage sind, diese Verantwortung zu übernehmen, oder wenn Sie die Gebrauchshinweise nicht richtig verstanden haben, benutzen Sie diese Ausrüstung nicht.

## 2. Benennung der Teile

(1) Stahlsseil, (2) Mantel, (3) Verbindungsöse für den Karabiner, (4) Kausche, (5) Schutzhülle, (6) Verbindungsschleufe, (7) Schutzhülle mit verschraubter Endkappe. Materialien: Verzinkter Stahl, rostfreier Stahl, Aluminium, Polyurethan.

## 3. Überprüfung, zu kontrollierende Punkte

Ihre Sicherheit hängt vom Zustand Ihrer Ausrüstung ab.

Petzl empfiehlt, mindestens alle 12 Monate (entsprechend den in Ihrem Land geltenden Vorschriften und den Nutzungsbedingungen) und nach außergewöhnlichen Vorkommnissen (Aufhängen eines Sturzes oder Sturz des Produkts) eine eingehende Überprüfung durch eine kompetente Person durchführen zu lassen. Achtung: Abhängig von der Gebrauchintensität muss Ihre PSA gegebenenfalls häufiger überprüft werden. Bitte beachten Sie die auf Petzl.com beschriebenen Vorgehensweisen. Tragen Sie die Ergebnisse in den Prüfbericht Ihrer PSA ein: Typ, Modell, Kontaktinformation des Herstellers, Seriennummer oder individuelle Nummer, Daten: Herstellung, Kauf, erste Anwendung, nächste regelmäßige Überprüfung, Probleme, Bemerkungen, Name und Unterschrift des Prüfers.

Wir empfehlen, das Datum der nächsten Überprüfung auf dem Produkt zu vermerken.

### Vor jedem Einsatz

Überprüfen Sie den Zustand des Mantels und des Stahlsseils. Vergewissern Sie sich, dass diese keine Deformationen, Risse, Kratzer, Abnutzungen- und Korrosionserscheinungen usw. aufweisen. Wenn der Zustand des Mantels eine Überprüfung des Zustands des Stahlsseils nicht ermöglicht, verwenden Sie dieses Produkt nicht mehr. Überprüfen Sie den Zustand der Kausche und der Schutzhüllen und vergewissern Sie sich, dass der Karabiner in der richtigen Position gehalten wird.

### Während des Gebrauchs

Es ist unerlässlich, den Zustand des Produkts und seiner Verbindungen mit anderen Ausrüstungsgegenständen im System regelmäßig zu überprüfen. Stellen Sie stets sicher, dass die einzelnen Ausrüstungsgegenstände im System richtig zueinander positioniert sind.

## 4. Kompatibilität

Überprüfen Sie die Kompatibilität dieses Produkts mit den anderen Elementen Ihres Systems (Kompatibilität = funktionelles Zusammenspiel).

Die mit Ihrer Anschlageneinrichtung verwendeten Ausrüstungselemente müssen mit den in Ihrem Land geltenden Normen übereinstimmen (z.B. Verbindungselemente EN 362).

## 5. Installation und Bruchlast

Die WIRE STROP-Anschlagschlinge kann als Einfachstrang (Bruchlast 23 kN),

würgend um eine Struktur gelegt (Bruchlast 23 kN) oder durch Umschlingen

einer Struktur (Bruchlast 35 kN bei einem Winkel von maximal 90° zwischen den

beiden Strängen der Schlinge) verwendet werden. Die Bruchlastwerte werden

an der gleichen Struktur gemessen wie sie bei der Zertifizierung verwendet wird.

Die Bruchlast des Anschlagpunktes kann nicht größer sein als die Bruchlast der

Struktur, an der die Schlinge (würgend oder durch Umschlingen) angeschlagen ist.

Würgende Installation

Achten Sie bei der würgenden Installation darauf, dass die Anschlagschlinge

ausgewogen positioniert ist, um eine optimale Bruchlast zu gewährleisten.

Verwenden Sie bei der umschlingenden Installation an einer Struktur eine

Anschlagschlinge mit einer angemessenen Länge, so dass der Winkel 90° nicht

übersteigt. Sollte der Winkel größer als 90° sein, verwenden Sie eine längere

Anschlagschlinge.

Achten Sie auf den Zustand der Oberfläche der Struktur und auf scharfe Kanten,

welche die Schlinge beschädigen können.

Demontieren Sie auf keinen Fall die verschraubte Endkappe des Schutzüberzugs:

Risiko einer Verbindung ohne jegliche Haltekraft.

## 6. Verbindungsmittel EN 354

Nur WIRE STROP 50, 100 und 150 cm.

Das Verbindungsmittel aus Stahlsseil kann keine Sturzenergie aufnehmen. Um jegliches Sturzrisiko auszuschließen, muss das Verbindungsmittel zwischen Anwender und Anschlagpunkt straff gehalten werden.

Ein Verbindungsmittel darf nicht zum Auffangen von Stürzen verwendet werden, wenn es nicht mit einem Falldämpfer (z.B. ABSORBICA) kombiniert ist. Die Gesamtlänge eines mit einem Falldämpfer kombinierten Verbindungsmittels darf maximal 2 m (einschließlich Endverbindungen und Verbindungselemente) betragen. Wenn Sie vor Beginn des Einsatzes das Risiko in Erwägung ziehen, dass das Verbindungsmittel mit einer scharfen Kante in Berührung kommt, denken Sie daran, die entsprechenden Sicherheitsmaßnahmen zu ergreifen.

Vermeiden Sie Bereiche, in denen Absturzgefahr besteht.

Das Verbindungsmittel ist nicht für Schleifknoten geeignet.

Zwei Verbindungsmittel sollten nicht parallel mit jeweils einem Falldämpfer verwendet werden.

## 7. Zusätzliche Informationen

Das Produkt entspricht der PSA-Verordnung (EU) 2016/425. Die EU-Konformitätserklärung ist auf Petzl.com verfügbar.

- An den Verbindungsösen darf nur ein Auffang- oder Positionierungssystem befestigt werden.

- Wenn eine Anschlageneinrichtung als Bestandteil eines Auffangsystems verwendet wird, muss ein Hilfsmittel verfügbar sein, mit dem sich die beim Auffangen eines Sturzes auf den Anwender einwirkenden maximalen dynamischen Kräfte auf einen Wert von maximal 6 kN reduzieren lassen.

- Die maximale Belastung, die von der Anschlagschlinge auf die Struktur übertragen werden kann, liegt bei einem würgend installierten Anschlagmittel bei 23 kN und bei einer Installation durch Umschlingen der Struktur bei 35 kN.

- Die Anschlageneinrichtung kann sich bei Belastung um 20 mm dehnen.

- Achtung bei korrosiven Umgebungen, die zu einer Beschädigung des Produkts führen können.

- Der Benutzer muss für eventuelle Schwierigkeiten, die während der Anwendung dieses Produkts auftreten können, Rettungsmöglichkeiten planen.

- Der Anschlagpunkt oder die Anschlagstruktur sollte sich oberhalb der Position des Benutzers befinden und sollte den Anforderungen der Norm EN 795 entsprechen. Die Mindestbruchlast des Anschlagpunktes muss 12 kN betragen.

- In einem Auffangsystem ist vor jeder Benutzung sicherzustellen, dass genügend Sturzraum unter dem Anwender vorhanden ist, so dass er im Falle eines Sturzes nicht auf den Boden oder auf ein Hindernis schlägt.

- Achten Sie darauf, dass der Anschlagpunkt richtig platziert ist, um das Risiko und die Höhe eines Sturzes zu reduzieren. Bleiben Sie unterhalb des Anschlagpunktes, um im Falle eines Sturzes das Risiko einer Beschädigung des Produkts zu reduzieren.

- In einem Auffangsystem ist zum Halten des Körpers ausschließlich ein Auffanggurt zulässig.

- Werden mehrere Ausrüstungsgegenstände zusammen verwendet, kann es zu gefährlichen Situationen kommen, wenn die Sicherheitsfunktion eines Gegenstands durch einen anderen Ausrüstungsgegenstand behindert wird.

- ACHTUNG - GEFAHR: Achten Sie darauf, dass die Produkte nicht an rauen Materialien oder scharfkantigen Gegenständen reiben und dass sie nicht mit offenen Flammen in Berührung kommen oder hohen Temperaturen ausgesetzt werden, was zum Schmelzen, Verbrennen oder zu anderen Beschädigungen der Produkte führen kann.

- Anwender müssen für Aktivitäten in der Höhe gesundheitlich in guter Verfassung sein. WARNUNG: Das regungslose Hängen in einem Gurt kann zu schweren Verletzungen oder sogar Tod führen (Hängetrauma).

- Die Gebrauchsanleitungen für jeden Ausrüstungsgegenstand, der zusammen mit diesem Produkt verwendet wird, müssen unbedingt befolgt werden.

- Die Gebrauchsanleitungen müssen allen Benutzern dieser Ausrüstung in Landessprache zur Verfügung gestellt werden.

- Vergewissern Sie sich, dass die Markierungen auf dem Produkt lesbar sind.

### Spezielle Informationen zu ANSI/ASSE Z359.18

- Die WIRE STROP-Anschlagschlinge wurde gemäß den Anforderungen der Norm ANSI/ASSE Z359.18 getestet. Achtung: Die Übereinstimmung mit dieser Norm erstreckt sich nicht auf die Anschlagstrukturen und Anschlagpunkte, an denen das Produkt befestigt wird. In diesem Rahmen müsste die Anschlagstruktur oder der Anschlagpunkt eine Bruchlast von 5000 Pfund (22,2 kN) aufweisen, situationsgemäß kann jedoch eine geringere Bruchlast zulässig sein. In diesem Fall muss eine sachkundige Person den Anschlagpunkt genehmigt haben.

Wenn das Datum für die Überprüfung oder Wartung überschritten ist, versehen Sie das Produkt mit dem Hinweis, dass es nicht mehr benutzt werden darf, bis die Überprüfung durchgeführt wurde.

### Aussondern von Ausrüstung:

ACHTUNG: Außergewöhnliche Umstände können die Aussonderung eines Produkts nach einer einmaligen Anwendung erforderlich machen (Art und Intensität der Benutzung, Anwendungsbereich: aggressive Umgebungen, Meeresklima, scharfe Kanten, extreme Temperaturen, Chemikalien usw.).

In folgenden Fällen muss ein Produkt aussondert werden:

- Wenn es mehr als 10 Jahre alt ist (Kunststoff- und Textilprodukte).
- Es wurde einem schweren Sturz oder einer schweren Belastung ausgesetzt.
- Das Produkt fällt bei der PSA-Überprüfung durch. Sie bezweifeln seine Zuverlässigkeit.

- Die vollständige Gebrauchsgeschichte ist nicht bekannt.

- Das Produkt ist veraltet (Änderung der gesetzlichen Bestimmungen, der

Normen oder der technischen Vorschriften, Inkompatibilität mit anderen Ausrüstungsgegenständen usw.).

Zerstören und entsorgen Sie diese Produkte, um ihren weiteren Gebrauch zu verhindern.

### Zeichenerklärungen:

**A. Unbegrenzte Lebensdauer - B. Markierung - C. Temperaturbeständigkeit**

**- D. Vorsichtsmaßnahmen - E. Reinigung - F. Trocknung - G. Lagerung/**

**Transport - H. Pflege - I. Änderungen/Reparaturen** (außerhalb der Petzl

Betriebsstätten nicht zulässig, ausgenommen Ersatzteile) **- J. Fragen/Kontakt**

### 3 Jahre Garantie

Auf Material- und Fabrikationsfehler. Von der Garantie ausgeschlossen sind: normale

Abnutzung, Oxidation, Modifikationen oder Nachbesserungen, unsachgemäße

Lagerung, unsachgemäße Wartung, Nachlässigkeiten und Anwendungen, für die

das Produkt nicht bestimmt ist.

### Warnhinweise

1. Unmittelbare Verletzungs- oder Lebensgefahr. 2. Potenzielles Unfall- oder Verletzungsrisiko. 3. Wichtige Information über die Funktionsweise oder die Leistungsangaben Ihres Produkts. 4. Inkompatibilität zwischen Ausrüstungsgegenständen.

### Rückverfolgbarkeit und Markierung

a. Entspricht den Anforderungen der PSA-Verordnung. Benannte Stelle für die EU-Baumusterprüfung - b. Nummer der notifizierten Stelle für die Produktionskontrolle dieser PSA - c. Rückverfolgbarkeit: Data Matrix - d. Positionierung zum Anschlagpunkt. Bleiben Sie unterhalb des Anschlagpunktes, um die Sturzhöhe und das Risiko eines Pendelsturzes zu reduzieren - e. Individuelle Nummer - f. Herstellungsjahr - g. Herstellungsmonat - h. Nummer der Fertigungsreihe - i. Individuelle Produktnummer - j. Normen - k. Lesen Sie die Gebrauchsanleitung aufmerksam durch - l. Modell-Identifizierung - m. Für die Benutzung durch eine Person (EN 795) oder zwei Personen (TS 16415) bestimmt - n. Adresse des Herstellers - o. NFPA-Zertifizierungsstelle - p. Bruchlast entsprechend der Platzierung an der Struktur - q. Länge

Questa nota informativa spiega come utilizzare correttamente il dispositivo. Solo alcune tecniche e utilizzi sono presentati.

I segnali di attenzione vi informano di alcuni potenziali pericoli legati all'utilizzo del dispositivo, ma è impossibile descriverli tutti. Prendete visione degli aggiornamenti e delle informazioni supplementari sul sito Petzl.com.

Voi siete responsabili della considerazione di ogni avviso e dell'utilizzo corretto del dispositivo. L'uso improprio di questo dispositivo causa rischi aggiuntivi. Contattare Petzl in caso di dubbi o difficoltà di comprensione.

## 1. Campo di applicazione

Dispositivo di protezione individuale (DPI) contro le cadute dall'alto.

Cavo di ancoraggio.

Dispositivo di ancoraggio temporaneo di tipo B (EN 795: 2012 tipo B), riservato all'utilizzo di una sola persona.

Dispositivo di ancoraggio conforme alla norma CEN/TS 16415: utilizzo da parte di due persone.

Cordino EN 354: 2010.

Non utilizzare questo dispositivo come mezzo di sollevamento.

Questo prodotto non deve essere sollecitato oltre i suoi limiti o in qualsiasi altra situazione differente da quella per cui è destinato.

## Responsabilità

### ATTENZIONE

**Le attività che comportano l'utilizzo di questo dispositivo sono per natura pericolose.**

**Voi siete responsabili delle vostre azioni, delle vostre decisioni e della vostra sicurezza.**

Prima di utilizzare questo dispositivo, occorre:

- Leggere e comprendere tutte le istruzioni d'uso.
- Ricevere una formazione adeguata sul suo utilizzo.
- Acquisire familiarità con il dispositivo, imparare a conoscerne le prestazioni e i limiti.
- Comprendere e accettare i rischi indotti.

**Il mancato rispetto di una sola di queste avvertenze può essere la causa di ferite gravi o mortali.**

Questo prodotto deve essere utilizzato esclusivamente da persone competenti e addestrate o sottoposte al controllo visivo diretto di una persona competente e addestrata.

Voi siete responsabili delle vostre azioni, delle vostre decisioni e della vostra sicurezza e ve ne assumete le conseguenze. Se non siete in grado di assumervi questa responsabilità, o se non avete compreso le istruzioni d'uso, non utilizzare questo dispositivo.

## 2. Nomenclatura

(1) Cavo, (2) Guaina, (3) Foro di collegamento del moschettone, (4) Rivestimento, (5) Manicotto, (6) Asola di collegamento, (7) Manicotto con copertura a vite. Materiali: acciaio galvanizzato, acciaio inossidabile, alluminio, poliuretano.

## 3. Controllo, punti da verificare

La vostra sicurezza è legata all'integrità della vostra attrezzatura.

Petzl raccomanda un controllo approfondito come minimo ogni 12 mesi da parte di una persona competente (in funzione della normativa in vigore nel vostro paese e delle vostre condizioni d'uso) e dopo ogni evento eccezionale, come l'arresto di una caduta o la caduta del prodotto stesso. Attenzione, l'intensità di utilizzo può comportare un controllo più frequente del DPI. Rispettate le procedure descritte sul sito Petzl.com. Registrate i risultati nella scheda di vita del vostro DPI: tipo, modello, dati del fabbricante, numero di serie o numero individuale; date: fabbricazione, acquisto, primo utilizzo, successive verifiche periodiche; difetti, osservazioni; nome e firma del controllore.

Si raccomanda di scrivere la successiva data d'ispezione sul vostro prodotto.

### Prima di ogni utilizzo

Verificare lo stato della guaina e del cavo (assenza di deformazioni, fessurazioni, segni, usura, corrosione...). Se lo stato della guaina non consente di verificare lo stato del cavo, non utilizzare più il prodotto. Verificare lo stato del rivestimento, dei manicotti e il posizionamento corretto del moschettone.

### Durante l'utilizzo

È importante controllare regolarmente lo stato del prodotto e dei suoi collegamenti con gli altri dispositivi del sistema. Assicurarsi del corretto posizionamento dei dispositivi gli uni rispetto agli altri.

## 4. Compatibilità

Verificare la compatibilità di questo prodotto con gli altri elementi del sistema nella vostra applicazione (compatibilità = buona interazione funzionale). Gli elementi utilizzati con l'ancoraggio devono essere conformi alle norme in vigore nel vostro paese (per esempio connettori EN 362).

## 5. Installazione e resistenza

WIRE STROP può essere utilizzato singolo (resistenza 23 kN), con strozzatura di una struttura (resistenza 23 kN) o con avvolgimento di una struttura (resistenza 35 kN con un angolo di 90° massimo tra i due capi del cavo). I valori di resistenza sono misurati su una struttura identica a quella utilizzata al momento della certificazione. La resistenza dell'ancoraggio non può superare la resistenza della struttura strozzata o avvolta.

Posizionamento con strozzatura:

Con strozzatura della struttura, bilanciare il cavo per mantenere una resistenza ottimale.

Utilizzare un cavo di lunghezza adatta alla situazione, per mantenere un angolo di 90° massimo quando si avvolge una struttura. Se l'angolo è più grande, utilizzare un cavo più lungo.

Attenzione alle condizioni superficiali della struttura e agli angoli troppo netti che potrebbero danneggiare il cavo.

Non smontare la copertura a vite del manicotto, rischio di un collegamento accidentale senza resistenza.

## 6. Cordino EN 354

WIRE STROP solo 50, 100 e 150 cm.

Il cordino di cavo non può assorbire l'energia della caduta, tenere il cordino in tensione tra l'utilizzatore e l'ancoraggio per evitare ogni rischio di caduta.

Un cordino non deve essere utilizzato per arrestare le cadute, se non è collegato ad un assorbitore di energia (per esempio ABSORBICA). La lunghezza totale di un cordino collegato ad un assorbitore di energia non deve superare 2 m (estremità e connettori inclusi).

Se prima di iniziare i lavori pensate che ci sia il rischio di contatto del cordino con una parte tagliente, assicuratevi di prendere le opportune precauzioni.

Evitare le zone dove esiste il rischio di caduta.

Questo cordino non è progettato per formare nodi scorsoli.

Non si devono utilizzare in parallelo due cordini dotati ciascuno di assorbitore di energia.

## 7. Informazioni supplementari

Questo prodotto è conforme al regolamento (UE) 2016/425 relativo ai dispositivi di protezione individuale. La dichiarazione di conformità UE è disponibile sul sito Petzl.com.

- Un solo sistema di arresto caduta o posizionamento può essere collegato ai punti di attacco.

- Quando il dispositivo di ancoraggio è utilizzato come parte di un sistema anticaduta, l'utilizzatore deve essere dotato di un mezzo che consente di ridurre le forze dinamiche massime, esercitate sull'utilizzatore all'arresto della caduta, ad un valore massimo di 6 kN.

- Il carico massimo che può essere trasmesso alla struttura dal cavo di ancoraggio è dell'ordine di 23 kN nell'installazione strozzata e dell'ordine di 35 kN nell'avvolgimento della struttura.

- Ci può essere un allungamento dell'ancoraggio di 20 mm quando è sotto carico.

- Attenzione agli ambienti corrosivi che potrebbero degradare il prodotto.

- Prevedere i mezzi di soccorso necessari per intervenire rapidamente in caso di difficoltà.

- L'ancoraggio o la struttura di ancoraggio deve essere preferibilmente situato(a) al di sopra della posizione dell'utilizzatore e deve rispondere ai requisiti della norma EN 795 (resistenza minima 12 kN).

- In un sistema di arresto caduta, è fondamentale verificare lo spazio libero richiesto sotto l'utilizzatore, prima di ogni utilizzo, per evitare la collisione con il suolo o un ostacolo in caso di caduta.

- Assicurarsi che il punto di ancoraggio sia posizionato correttamente, per ridurre il rischio e l'altezza di caduta. Assicurarsi di restare sotto il punto di ancoraggio per ridurre il rischio di danneggiamento del prodotto in caso di caduta.

- Un'imbracatura anticaduta è l'unico dispositivo di presa del corpo che sia consentito utilizzare in un sistema di arresto caduta.

- Un pericolo può sopraggiungere al momento dell'utilizzo di più dispositivi in cui la funzione di sicurezza di uno dei dispositivi può essere compromessa dalla funzione di sicurezza di un altro dispositivo.

- ATTENZIONE PERICOLO, verificare che i prodotti non sfregino contro materiali abrasivi o parti taglienti, o non si trovino a contatto con fiamme o alte temperature che potrebbero farli fondere, bruciare o rompere.

- Gli utilizzatori devono avere l'idoneità sanitaria per le attività in quota.

ATTENZIONE, la sospensione inerte nell'imbracatura può generare gravi disturbi fisiologici o la morte.

- Devono essere rispettate le istruzioni d'uso indicate nelle note informative di ogni dispositivo associato a questo prodotto.

- Le istruzioni d'uso di questo dispositivo devono essere fornite all'utilizzatore e redatte nella lingua del paese in cui il prodotto viene utilizzato.

- Assicurarsi che le marcature sul prodotto siano leggibili.

### Particolarità ANSI/ASSE Z359.18

- WIRE STROP è stato testato secondo i requisiti della norma ANSI/ASSE Z359.18. Attenzione, la conformità a questa norma non si applica alle strutture di ancoraggio o agli ancoraggi a cui l'attrezzatura sarà collegata. In questo ambito, la struttura di ancoraggio o l'ancoraggio dovrebbe avere una resistenza di 5000 libbre (22,2 kN), ma una resistenza inferiore può essere accettabile in funzione della legislazione applicabile nella vostra situazione. In tal caso, l'ancoraggio deve essere stato approvato da una persona competente.

Se la data della verifica o della manutenzione è superata, apporre una marcatura per indicare che l'attrezzatura non deve essere utilizzata fino a quando la verifica non sia stata effettuata.

### Eliminazione:

ATTENZIONE, un evento eccezionale può comportare l'eliminazione del prodotto dopo un solo utilizzo (tipo ed intensità di utilizzo, ambiente di utilizzo: ambienti aggressivi, ambienti marini, parti taglienti, temperature estreme, prodotti chimici...). Il prodotto deve essere eliminato quando:

- Ha più di 10 anni ed è composto da materiale plastico o tessile.

- Ha subito una caduta o uno sforzo notevole.

- Il risultato dei controlli del prodotto non è soddisfacente. Si ha un dubbio sulla sua affidabilità.

- Non si conosce l'intera storia del suo utilizzo.

- Quando il suo utilizzo è obsoleto (evoluzione delle leggi, delle normative, delle tecniche o incompatibilità con altri dispositivi...).

Distuggere i prodotti scartati per evitarne un futuro utilizzo.

### Pittogrammi:

**A. Durata illimitata - B. Marcatura - C. Temperature tollerate - D. Precauzioni d'uso - E. Pulizia - F. Ascigatura - G. Stoccaggio/trasporto - H. Manutenzione - I. Modifiche/riparazioni** (proibite al di fuori degli stabilimenti Petzl salvo pezzi di ricambio) - **J. Domande/contatto**

### Garanzia 3 anni

Contro ogni difetto di materiale o di fabbricazione. Sono esclusi: usura normale, ossidazione, modifiche o ritocchi, cattiva conservazione, manutenzione impropria, negligenze, utilizzi ai quali questo prodotto non è destinato.

### Segnali di attenzione

1. Situazione che presenta un rischio imminente di lesione grave o mortale. 2. Esposizione a un rischio potenziale d'incidente o lesione. 3. Informazione importante sul funzionamento o le performance del vostro prodotto. 4. Incompatibilità materiale.

### Tracciabilità e marcatura

a. Conforme ai requisiti del regolamento DPI. Ente riconosciuto che interviene per l'esame UE di tipo - b. Numero dell'organismo notificato per il controllo della produzione di questo DPI - c. Tracciabilità: datamatrix - d. Posizionamento rispetto all'ancoraggio: restare sotto il punto di ancoraggio per ridurre l'altezza di caduta e il rischio di effetto pendolo - e. Numero individuale - f. Anno di fabbricazione - g. Mese di fabbricazione - h. Numero lotto - i. Identificativo individuale - j. Norme - k. Leggere attentamente l'istruzione tecnica - l. Identificazione del modello - m. Riservato all'utilizzo di una sola persona (EN 795) o di due persone (TS 16415) - n. Indirizzo del fabbricante - o. Ente di certificazione NFPA - p. Resistenza secondo il posizionamento sulla struttura - q. Lunghezza

Este folleto explica cómo utilizar correctamente su equipo. Sólo se presentan algunas utilizaciones y técnicas.

Las señales de advertencia le informan de algunos peligros potenciales relacionados con la utilización de su equipo, pero es imposible describirlos todos. Infórmese de las actualizaciones y de la información complementaria en Petzl.com. Usted es responsable de tener en cuenta cada una de las advertencias y de utilizar correctamente su equipo. Cualquier mala utilización de este equipo originará peligros adicionales. Contacte con Petzl si tiene dudas o dificultades de comprensión.

## 1. Campo de aplicación

Equipo de protección individual (EPI) contra las caídas de altura.

Eslinga de anclaje.

Dispositivo de anclaje temporal de tipo B (EN 795:2012 tipo B), reservado a la utilización por una sola persona.

Dispositivo de anclaje conforme a CEN/TS 16415: utilización por dos personas. Elemento de amarre EN 354:2010.

No utilice este equipo como medio de elevación.

Este producto no debe ser solicitado más allá de sus límites o en cualquier otra situación para la que no esté previsto.

## Responsabilidad

### ATENCIÓN

**Las actividades que implican la utilización de este equipo son por naturaleza peligrosas.**

**Usted es responsable de sus actos, de sus decisiones y de su seguridad.**

Antes de utilizar este equipo, debe:

- Leer y comprender todas las instrucciones de utilización.

- Formarse específicamente en el uso de este equipo.

- Familiarizarse con su equipo y aprender a conocer sus prestaciones y sus limitaciones.

- Comprender y aceptar los riesgos derivados.

**El no respeto de una sola de estas advertencias puede ser la causa de heridas graves o mortales.**

Este producto sólo debe ser utilizado por personas competentes y responsables, o que estén bajo el control visual directo de una persona competente y responsable. Usted es responsable de sus actos, de sus decisiones y de su seguridad y asume las consecuencias de los mismos. Si usted no está dispuesto a asumir esta responsabilidad o si no ha comprendido bien las instrucciones de utilización, no utilice este equipo.

## 2. Nomenclatura

(1) Cable, (2) Funda, (3) Orificio de conexión del mosquetón, (4) Guardacabo, (5)

Funda, (6) Anilla de conexión, (7) Funda con tapón atornillado.

Materiales: acero galvanizado, acero inoxidable, aluminio y poliuretano.

## 3. Control, puntos a verificar

Su seguridad está vinculada a la integridad de su equipo.

Petzl aconseja que una persona competente realice una revisión en profundidad cada 12 meses como mínimo (en función de la legislación en vigor en su país y de las condiciones de utilización) y después de cualquier suceso excepcional, como la detención de una caída o la caída del propio producto. Atención: la intensidad de su utilización le puede llevar a revisar su EPI con más frecuencia. Respete los modos operativos descritos en la página web Petzl.com. Registre los resultados en la ficha de revisión del EPI: tipo, modelo, nombre y dirección del fabricante, número de serie o número individual, fechas: fabricación, compra, primera utilización, próximos controles periódicos, defectos, observaciones, nombre y firma del inspector.

Es recomendable escribir la próxima fecha de revisión en el producto.

### Antes de cualquier utilización

Compruebe el estado de la funda y del cable (ausencia de deformaciones, fisuras, marcas, desgastes, corrosión...). Si el estado de la funda no permite comprobar el estado del cable, deje de utilizar su producto. Compruebe el estado del guardacabos, de las fundas y la correcta sujeción del mosquetón.

### Durante la utilización

Es importante controlar regularmente el estado del producto y de sus conexiones con los demás equipos del sistema. Asegúrese del correcto posicionamiento de los equipos entre sí.

## 4. Compatibilidad

Compruebe la compatibilidad de este producto con los demás elementos del sistema en su aplicación (compatibilidad = interacción funcional correcta). Los elementos utilizados con su anclaje deben ser conformes con las normas en vigor en su país (conectores EN 362 por ejemplo).

## 5. Instalación y resistencia

La WIRE STROP puede ser utilizada en simple (resistencia 23 kN), estrangulando una estructura (resistencia 23 kN) o rodeando una estructura (resistencia 35 kN con un ángulo de 90° máximo entre los dos cabos de la eslinga). Los valores de resistencia se miden en una estructura idéntica a la utilizada durante la certificación. La resistencia del anclaje no puede superar la resistencia de la estructura estrangulada o rodeada.

Colocación estrangulando:

Estrangulando la estructura, equilibre la eslinga para conservar una resistencia óptima.

Utilice una eslinga de una longitud adecuada a su situación, que permita mantener un ángulo de 90° máximo mientras está rodeando una estructura. Si el ángulo es más abierto, utilice una eslinga más larga.

Atención al estado de la superficie de la estructura y a las aristas demasiado angulosas que podrían dañar la eslinga.

No desmonte el tapón atornillado de la funda, riesgo de una conexión accidental sin ninguna resistencia.

## 6. Elemento de amarre EN 354

WIRE STROP 50, 100 y 150 cm únicamente.

El elemento de amarre de cable no puede absorber la energía de una caída, mantenga el elemento de amarre en tensión entre el usuario y el anclaje para evitar cualquier riesgo de caída.

Un elemento de amarre no debe ser utilizado para detener caídas, si no está conectado a un absorbedor de energía (por ejemplo ABSORBICA). La longitud total de un elemento de amarre conectado a un absorbedor de energía no debe superar 2 m (puntas y conectores incluidos).

Si antes de empezar a trabajar considera que existe un riesgo de contacto del elemento de amarre con una arista cortante, tome las precauciones adecuadas. Evite las zonas en las que exista riesgo de caída.

Este elemento de amarre no está diseñado para realizar nudos corredizos.

Es conveniente no utilizar en paralelo dos elementos de amarre provistos cada uno de un absorbedor de energía.

## 7. Información complementaria

Este producto es conforme al Reglamento (UE) 2016/425 relativo a los equipos de protección individual. La declaración de conformidad UE está disponible en Petzl.com.

- En los puntos de enganche se puede conectar un solo sistema anticaídas o de posicionamiento.

- Cuando el dispositivo de anclaje es utilizado como parte de un sistema anticaídas, el usuario debe estar equipado con un medio que permita limitar las fuerzas dinámicas máximas, ejercidas sobre el usuario debido a la detención de la caída, a un valor máximo de 6 kN.

- La carga máxima susceptible de ser transmitida a la estructura por la eslinga de anclaje es del orden de 23 kN en instalación estrangulada y del orden de 35 kN al rodear la estructura.

- Se puede producir un alargamiento de 20 mm del anclaje bajo carga.

- Atención a los ambientes corrosivos que podrían degradar el producto.

- Prevea los medios de rescate necesarios para intervenir rápidamente en caso de dificultades.

- El anclaje o la estructura de anclaje tiene que estar situado(a), preferentemente, por encima de la posición del usuario y debe cumplir con las exigencias de la norma EN 795 (resistencia mínima 12 kN).

- En un sistema anticaídas y antes de cualquier utilización, es esencial comprobar la altura libre requerida por debajo del usuario para evitar cualquier colisión con el suelo o con un obstáculo en caso de caída.

- Asegúrese de que el punto de anclaje esté colocado correctamente para así limitar el riesgo y la altura de la caída. Asegúrese de permanecer bajo el punto de anclaje para limitar el riesgo de deterioro del producto en caso de caída.

- Un arnés anticaídas es el único dispositivo de prensión del cuerpo que está permitido utilizar en un sistema anticaídas.

- Un peligro puede sobrevenir cuando se utilizan varios equipos en los que la función de seguridad de uno de los equipos puede verse afectada por la función de seguridad de otro equipo.

- ATENCIÓN PELIGRO: vigile que sus productos no rocen con materiales abrasivos o piezas cortantes, o que no estén en contacto con llamas o a altas temperaturas que podrían fundirlos, quemarlos o romperlos.

- Los usuarios deben ser aptos desde el punto de vista médico para las actividades en altura. ATENCIÓN: estar suspendido e inerte en un arnés puede provocar problemas fisiológicos graves o la muerte.

- Deben ser respetadas las instrucciones de utilización definidas en las fichas técnicas de cada equipo asociado a este producto.

- Las instrucciones de utilización deben entregarse al usuario de este equipo en el idioma del país de utilización.

- Asegúrese de la legibilidad de los marcados en el producto.

### Especificidades ANSI/ASSE Z359.18

- La WIRE STROP ha sido ensayada según las exigencias de la norma ANSI/ASSE Z359.18. Atención: la conformidad con esta norma no se extiende a las estructuras de anclaje o a los anclajes a los que el equipo será conectado. En este marco, la estructura de anclaje o el anclaje deberá tener una resistencia de 5000 libras (22.2 kN), pero una resistencia inferior puede ser aceptable en función de la legislación aplicable en su situación. En este caso, el anclaje debe haber sido aprobado por una persona competente.

Si se ha superado la fecha de revisión o de mantenimiento, enganche una etiqueta indicando que el equipo no se debe utilizar hasta que no se haya realizado la revisión.

### Dar de baja:

ATENCIÓN: un suceso excepcional puede llevarle a dar de baja un producto después de una sola utilización (tipo e intensidad de utilización, entorno de utilización: ambientes agresivos, ambientes marinos, aristas cortantes, temperaturas extremas, productos químicos...).

Un producto debe darse de baja cuando:

- Tiene más de 10 años y está compuesto por plástico o textil.

- Ha sufrido una caída o un esfuerzo importante.

- El resultado de las revisiones del producto no es satisfactorio. Duda de su fiabilidad.

- No conoce el historial completo de utilización.

- Cuando su utilización es obsoleta (evolución legislativa, normativa, técnica o incompatibilidad con otros equipos, etc.).

Destruya estos productos para evitar una utilización futura.

### Pictogramas:

**A. Vida útil ilimitada - B. Marcado - C. Temperaturas toleradas - D.**

**Precauciones de utilización - E. Limpieza - F. Secado - G. Almacenamiento/ transporte - H. Mantenimiento - I. Modificaciones/ reparaciones (prohibidas fuera de los talleres de Petzl, excepto las piezas de recambio) - J. Preguntas/ contacto**

### Garantía 3 años

Contra cualquier defecto del material o de fabricación. Se excluye: el desgaste normal, la oxidación, las modificaciones o retoques, el almacenamiento incorrecto, el mantenimiento incorrecto, las negligencias y las utilizaciones para las que este producto no está destinado.

### Señales de advertencia

1. Situación que presenta un riesgo inminente de herida grave o mortal. 2.

Exposición a un riesgo potencial de incidente o de herida. 3. Información importante sobre el funcionamiento o las prestaciones de su producto. 4. Incompatibilidad material.

### Trazabilidad y marcado

a. Conforme a los requisitos del Reglamento EPI. Organismo notificado que interviene en el examen UE de tipo - b. Número del organismo notificado para el control de la producción de este EPI - c. Trazabilidad: datamatrix - d. Posicionamiento respecto al anclaje: permanezca bajo el punto de anclaje para limitar la altura de la caída y el riesgo de péndulo - e. Número individual - f. Año de fabricación - g. Mes de fabricación - h. Número de lote - i. Identificador individual - j. Normas - k. Lea atentamente la ficha técnica - l. Identificación del modelo - m. Reservado a la utilización por una sola persona (EN 795) o de dos personas (TS 16415) - n. Dirección del fabricante - o. Organismo de certificación NFPA - p. Resistencia según la colocación en la estructura - q. Longitud



Esta notícia técnica explica como utilizar correctamente o seu equipamento. Somente algumas das utilizações e técnicas são apresentadas. Os avisos de alerta informam de alguns perigos potenciais ligados à utilização do equipamento, porém é impossível descrevê-los todos. Tome conhecimento das últimas actualizações e informações complementares em Petzl.com. É responsável por tornar conhecimento de cada alerta e pela utilização correcta do seu equipamento. Qualquer má utilização deste equipamento pode originar perigos adicionais. Contacte a Petzl se tiver dúvidas ou dificuldades de compreensão.

## 1. Campo de aplicação

Equipamento de protecção individual (EPI) contra quedas em altura. Estropo de amarração. Dispositivo de ancoragem temporária do tipo B (EN 795: 2012 tipo B), reservado apenas para uso individual. Dispositivo de ancoragem conforme a CEN/TS 16415: utilização para duas pessoas. Longe EN 354: 2010. Não utilize este equipamento para içamento de cargas. Este produto não deve ser utilizado para além dos seus limites ou em qualquer outra situação para a qual não tenha sido previsto.

## Responsabilidade

**ATENÇÃO**  
As actividades que implicam a utilização deste produto são por natureza perigosas.  
Você é responsável pelos seus actos, pelas suas decisões e pela sua segurança.

Antes de utilizar este equipamento, deve:

- Ler e compreender todas as instruções de utilização.
- Formar-se especificamente para a utilização deste equipamento.
- Familiarizar-se com o seu equipamento, aprender a conhecer as suas performances e limitações.
- Compreender e aceitar os riscos inerentes.

## O desrespeito de um destes avisos poderá causar ferimentos graves ou mortais.

Este produto não deve ser utilizado senão por pessoas competentes e responsáveis, ou colocado sob o controlo visual directo de uma pessoa competente e responsável. Você é responsável pelos seus actos, pelas suas decisões, pela sua segurança e assume as consequências. Se você não se sentir apto a assumir essa responsabilidade, ou se não entendeu bem as instruções de utilização, não utilize este equipamento.

## 2. Nomenclatura

(1) Cabo, (2) Capa, (3) Orifício de conexão de mosquetão, (4) Terminal, (5) Manga, (6) Fivela de conexão, (7) Manga com tampa rosçada. Materiais: aço galvanizado, aço inoxidável, alumínio, poliuretano.

## 3. Inspecção, pontos a verificar

A sua segurança está ligada à integridade do seu equipamento. A Petzl aconselha uma verificação aprofundada, por uma pessoa competente, no mínimo a cada 12 meses (em função da legislação em vigor no seu país e das condições de utilização) e após qualquer acontecimento excepcional, como o travamento de uma queda ou uma queda do produto em si. Atenção, uma utilização intensa pode levá-lo a verificar com maior frequência o seu EPI. Respeite os modos de operação descritos no site Petzl.com. Registe os resultados na ficha de inspecção do seu EPI: tipo, modelo, coordenadas do fabricante, número de série ou número individual, datas: de fabrico, aquisição, primeira utilização, próximas inspecções periódicas, defeitos, observações, nome e assinatura do controlador. É recomendado escrever a data da próxima inspecção no seu produto.

### Antes de qualquer utilização

Verifique o estado da capa e do cabo (ausência de deformações, fissuras, desgaste, marcas, corrosão...). Se o estado da capa não permitir verificar o estado do cabo, não utilize mais o seu produto. Verifique o estado do terminal, das mangas e o bom posicionamento do mosquetão.

### Durante a utilização

É importante controlar regularmente o estado do produto e as suas conexões com os outros equipamentos do sistema. Assegure-se do posicionamento correcto dos equipamentos uns em relação aos outros.

## 4. Compatibilidade

Verifique a compatibilidade deste produto com os outros elementos do sistema na sua aplicação (compatibilidade = boa interacção funcional). Os elementos utilizados com a sua amarração devem estar conformes às normas em vigor no seu país (conectores EN 362 por exemplo).

## 5. Instalação e resistência

WIRE STROP pode ser utilizado em simples (resistência de 23 kN), em estrangulamento de uma estrutura (resistência de 23 kN) ou em contorno de uma estrutura (resistência de 35 kN com um ângulo máximo de 90° entre as duas pontas do estropo). Os valores de resistência são medidos numa estrutura idêntica à estrutura utilizada aquando da certificação. A resistência da ancoragem não pode ultrapassar a resistência da estrutura estrangulada ou contornada. Colocação em estrangulamento: Em estrangulamento de estrutura, equilibre o estropo para guardar uma resistência ideal. Utilize um estropo com um comprimento adaptado à sua situação, permitindo manter um ângulo máximo de 90° quando contornar uma estrutura. Se o ângulo for mais aberto, utilize um estropo mais comprido. Cuidado com o estado superficial da estrutura e com os ângulos demasiadamente abruptos que poderiam danificar o estropo. Não desmonte a tampa rosçada da manga, porque existe um risco de uma conexão accidental sem nenhuma resistência.

## 6. Longe EN 354

Somente WIRE STROP 50, 100 e 150 cm. A longe em cabo não pode absorber energia de queda, mantenha a longe tensa entre o utilizador e a ancoragem para evitar qualquer risco de queda. Uma longe não deve ser utilizada para o travamento de quedas se esta não estiver conectada a um absorvedor de energia (por exemplo ABSORBICA). O comprimento total de uma longe conectada a um absorvedor de energia não deve ultrapassar 2 m (extremidades e conectores incluídos). Se considera, antes do início dos trabalhos, que poderá haver um risco de contacto da longe com uma aresta cortante, procure tomar as precauções apropriadas. Evite as zonas onde existe o risco de queda. Esta longe não foi concebida para fazer nós corrediços. Não convém utilizar em paralelo duas longes munidas cada uma de um absorvedor de energia.

## 7. Informações complementares

Este produto está conforme o regulamento (UE) 2016/425 relativamente aos equipamentos de protecção individual. A declaração de conformidade UE está disponível em Petzl.com.

- Um único sistema de travamento de queda ou de posicionamento pode ser conectado aos pontos de fixação.
- Quando o dispositivo de ancoragem é utilizado como fazendo parte de um sistema anti-queda, o utilizador deve estar equipado com um meio que permita limitar as forças dinâmicas máximas, exercidas no utilizador durante o travamento da queda, a um valor máximo de 6 kN.
- A carga máxima susceptível de ser transmitida à estrutura pelo estropo de amarração é de cerca de 23 kN em instalação estranguladora e de cerca de 35 kN em contorno da estrutura.
- Pode existir um alongamento de 20 mm da amarração sob a carga.
- Cuidado com os ambientes corrosivos que poderiam degradar o produto.
- Preveja os meios de resgate necessários para intervir rapidamente em caso de dificuldades.
- A ancoragem ou a estrutura de amarração deve estar de preferência situada acima da posição do utilizador e responder às exigências EN 795 (resistência mínima 12 kN).
- Num sistema anti-queda, é essencial verificar o espaço livre necessário sob o utilizador, antes de cada utilização, afim de evitar qualquer colisão com o solo ou com um obstáculo, em caso de queda.
- Certifique que o ponto de amarração esteja correctamente posicionado, afim de limitar o risco e a altura de queda. Queira permanecer sob o ponto de ancoragem para limitar o risco de dano do produto em caso de queda.
- Um amês anti-queda é o único dispositivo de prensão do corpo que é permitido utilizar num sistema anti-queda.
- Pode ocorrer uma situação perigosa quando se utilizam vários equipamentos em que a função de segurança de um dos equipamentos pode ser afectada pela função de segurança de outro equipamento.
- ATENÇÃO PERIGO, verifique que os produtos não sejam sujeitos a atritos com materiais abrasivos ou peças cortantes, ou que não estejam em contacto com chamas ou altas temperaturas, as quais os poderiam fazer derreter, queimar ou romper.
- Os utilizadores devem estar clinicamente aptos para as actividades em altura. ATENÇÃO, estar suspenso e inerte num amês pode desencadear perturbações fisiológicas graves ou a morte.
- As instruções de utilização definidas nos informativos de cada equipamento associado a este produto devem ser respeitadas.
- As instruções de utilização devem ser fornecidas ao utilizador deste equipamento no idioma do país de utilização.
- Assegure-se da legibilidade das marcações no produto.

### Especificidades ANSI/ASSE Z359.18

- WIRE STROP foi testado de acordo com as exigências da norma ANSI/ASSE Z359.18. Atenção, a conformidade a esta norma não se estende às estruturas de amarração ou às ancoragens nas quais o equipamento será conectado. Nesse âmbito, a estrutura de amarração ou a ancoragem deveria ter uma resistência de 5000 libras (22,2 kN), mas uma resistência inferior pode ser considerada aceitável em função da legislação aplicável na sua situação. Nesse caso, a ancoragem deve ter sido aprovada por uma pessoa competente.

Se a data de verificação ou de manutenção do equipamento tiver já expirado, colocar uma indicação assinalando a sua não utilização enquanto a verificação não for realizada.

### Descartar um equipamento:

ATENÇÃO, uma ocorrência excepcional pode levar ao descarte de um produto após uma só utilização (tipo e intensidade de utilização, ambiente de utilização: ambientes agressivos, ambientes marinhos, arestas cortantes, temperaturas extremas, produtos químicos...).

Um produto deve ser descartado quando:

- Tiver mais de 10 anos e for composto por plástico ou têxtil.
- Foi sujeito a uma queda ou a um esforço importante.
- O resultado das verificações do produto não for satisfatório. Tiver uma dúvida sobre a sua fiabilidade.
- Não conhecer o seu histórico de utilização completo.
- Quando a sua utilização for obsoleta (evolução legislativa, normativa, técnica ou incompatibilidade com outros equipamentos...).

Destrua esses produtos para evitar uma futura utilização.

### Pictogramas:

**A. Duração de vida ilimitada - B. Marcação - C. Temperaturas toleradas - D. Precauções de utilização - E. Limpeza - F. Secagem - G. Armazenamento/transporte - H. Manutenção - I. Modificações/reparações** (intercitas fora das oficinas Petzl salvo peças sobresselentes) - **J. Questões/contacto**

### Garantia 3 anos

Contra qualquer defeito de material ou fabrico. Estão excluídos: desgaste normal, oxidação, modificações ou retoques, mau armazenamento, má manutenção, negligências, utilizações para as quais este produto não está destinado.

### Avisos de alerta

1. Situação que apresenta risco iminente de ferimento grave ou mortal. 2. Exposição a um risco potencial de incidente ou ferimento. 3. Informação importante sobre o funcionamento ou as performances do seu produto. 4. Incompatibilidade de materiais.

### Rastreo e marcações

a. Conforme às exigências do regulamento EPI. Organismo notificado interveniente para o exame UE de tipo - b. Número do organismo notificado para o controlo de produção deste EPI - c. Rastreo: datamatrix - d. Posicionamento em relação à ancoragem: permaneça sob o ponto de ancoragem para limitar a altura da queda e o risco de pêndulo - e. Número individual - f. Ano de fabrico - g. Mês de fabrico - h. Número de lote - i. Identificador individual - j. Normas - k. Ler atentamente a informação técnica - l. Identificação do modelo - m. Reservado à utilização por uma só pessoa (EN 795) ou por duas pessoas (TS 16415) - n. Endereço do fabricante - o. Organismo de certificação NFPA - p. Resistência de acordo com o posicionamento na estrutura - q. Comprimento











本書では、製品の正しい使用方法を説明しています。技術や使用方法については、いくつかの例のみを掲載しています。製品の使用に関連する危険については、警告のマークが付いています。ただし、製品の使用に関連する危険の全てをここに網羅することはできません。最新の情報や、その他の補足情報等はPetzl.comで参照できますので、定期的に確認してください。警告および注意事項に留意し、製品を正しく使用する事は、ユーザーの責任です。本製品の誤った使用は危険を増加させます。疑問点や不明な点は(株)アルテリア (TEL 04-2968-3733)にご相談ください。

## 1.用途

本製品は墜落からの保護を目的として使用する個人保護用具 (PPE) です。ワイヤースリングです。人ひとりに対して使用可能な Type B 仮設アンカー (EN 795:2012 type B) です。CEN/TS 16415 に適合したアンカーです: 2人での使用。EN 354:2010 に適合したランヤードです。この製品を吊り上げ作業には使用しないでください。本製品の限界を超えるような使用をしないでください。また、本来の用途以外での使用はしないでください。

## 責任

**警告**  
この製品を使用する活動には危険が伴います。ユーザー各自が自身の行為、判断、および安全の確保についてその責任を負うこととします。

使用前に必ず:  
- 取扱説明書をよく読み、理解してください  
- この製品を正しく使用するための適切な指導を受けてください  
- この製品の機能とその限界について理解してください  
- この製品を使用する活動に伴う危険について理解してください

**これらの注意事項を無視または軽視すると、重度の傷害や死につながる場合があります。**

この製品は使用方法を熟知して責任能力のある人、あるいはそれらの人から目の届く範囲で直接指導を受けられる人のみ使用してください。ユーザー各自が自身の行為、判断、および安全の確保について責任を負い、またそれによって生じる結果についても責任を負うこととします。各自で責任がとれない場合や、その立場にない場合、また取扱説明書の内容を理解できない場合は、この製品を使用しないでください。

## 2.各部の名称

(1) ケーブル、(2) 外皮、(3) カラビナアタッチメントホール、(4) シンプル、(5) スリーブ、(6) アタッチメントループ、(7) スリーブ (ホールプラグ付)  
素材: 亜鉛メッキ鋼、ステンレススチール、アルミニウム、ポリウレタン

## 3.点検のポイント

器具の状態は、ユーザーの安全に大きく関係します。ベツルは、十分な知識を持つ適任者による詳細点検を、少なくとも12ヶ月ごとに(国や地域における法規や、使用状態によっても変わります)行うことをお勧めします。また、墜落を止めたり製品を落下させたしたりした等の異例な状況の後にも行うことをお勧めします。警告: 使用頻度によっては、より頻繁に個人保護用具 (PPE) を点検する必要があります。Petzl.com で説明されている方法に従って点検してください。個人保護用具 (PPE) の点検結果を点検フォームに記録してください: 種類、モデル、製造者の連絡先、個別番号、製造日、購入日、初回使用時の日付、次回点検予定日、問題点、コメント、点検者の名前および署名。製品本体に次回点検日を記入することをお勧めします。

### 毎回、使用前に

外皮およびケーブルの状態 (変形、亀裂、傷、摩耗、腐食等がないこと) を確認してください。外皮の状態により、ケーブルの状態が確認できない場合は、製品を使用しないでください。シンプル、スリーブの状態およびカラビナが適切に取り付けられていることを確認してください。

### 使用中の注意点

この製品および併用する器具 (連結している場合は連結部を含む) に常に注意を払い、状態を確認してください。全ての構成器具が正しくセットされていることを確認してください。

## 4.適合性

この製品がシステムの中のその他の器具と併用できることを確認してください (併用できる = 相互の機能を妨げない)。アンカーと併用する器具は、使用する国における最新の規格に適合していなければなりません (例: ヨーロッパにおけるコネクターの規格 EN 362)。

## 5.設定方法および強度

WIRE STROP は、シングルの設定 (強度 23 kN)、構造物に回して締める設定 (強度 23 kN)、または構造物に回し掛ける設定 (角度が 90 度以下で強度 35 kN) で使用可能です。強度の値は、認証試験で使われた構造物と同様の構造物で測定されています。ワイヤースリングの強度が回し掛けしている構造物の強度を上回ることはありません。回して締める方法: 構造物に回して締める際、最適な強度が得られるようにワイヤースリングを整えてください。状況に適した長さのワイヤースリングを使用してください。構造物に回し掛ける際、角度を 90 度以下に保つ必要があります。角度が大きくなる場合は、より長いワイヤースリングを使用してください。ワイヤースリングを傷つける可能性がある構造物の表面の状態および鋭角に注意してください。スリーブのホールプラグを取り外さないでください。意図せず強度の無いアタッチメントポイントを作ってしまう危険があります。

## 6.EN 354 に適合したランヤード

50、100、150cm の WIRE STROP のみです。ケーブルランヤードは墜落のエネルギーを吸収しません。墜落の危険を避けるため、ユーザーとアンカーの間のランヤードを張った状態に保ってください。ABSORBICA 等のエネルギーアブソーバーに接続されていないランヤードは、フォールアラレスト用には使用できません。エネルギーアブソーバーに接続されたランヤードの全長 (コネクターおよび末端を含む) が、2 m を超えてはいけません。ランヤードが鋭いエッジに接触する危険がある場合は、作業を開始する前に適切な予防策を講じてください。墜落の危険がある場所を避けてください。本製品はひばり結びでハーネスに取り付けるようにはデザインされていません。エネルギーアブソーバー付ランヤード 2 本を同時に使用しないでください。

## 7.補足情報

本製品は個人保護用具に関する規則 (EU) 2016/425 に適合しています。EU 適合宣言書は Petzl.com で確認できます。

- アタッチメントポイントには、フォールアラレストシステム 1 つのみ接続可能です
- フォールアラレストシステムの一部としてアンカーを使用する場合は、墜落が止められた時にユーザーにかかる衝撃荷重を 6 kN 以下に抑えるための手段を講じる必要があります
- アンカーにより構造物にかかる最大荷重は、アンカーを構造物に回して締める場合で 23 kN、アンカーを構造物に回し掛ける場合で 35 kN です
- 荷重がかかるとアンカーが 20mm 伸びることがあります
- 製品を劣化させる原因となる腐食が起こりやすい環境に注意してください
- ユーザーは、この製品の使用に問題が生じた際にすみやかに対処できるように、レスキュープランとそれに必要となる装備をあらかじめ用意しておく必要があります
- アンカーまたはアンカー構造物は、ユーザーの体より上に位置するのが望ましく、EN 795 の要求事項 (最低でも 12 kN の強度) を満たしていなければなりません
- フォールアラレストシステムでは、墜落した際に地面や障害物に衝突することがないように、毎回使用前に十分なクリアランスがユーザーの下に確保されていることを確認する必要があります
- 墜落距離を短くし、危険を少なくするため、アンカーが適切な位置に設置されていることを確認してください。墜落時に製品が損傷するリスクを抑えるため、アンカーより低い位置で作業してください
- フォールアラレストシステムで身体をサポートに使用できるのは、フォールアラレストハーネスのみです
- 複数の器具を同時に使用する場合、1 つの器具の安全性が、別の器具の使用によって損なわれることがあります
- 警告: 危険: 製品がさらさらした箇所や尖った箇所でごすれないように注意してください。また、製品が溶けたり、燃えたり、切断したりするおそれのある炎や高温に接触しないよう注意してください
- ユーザーは、高所での活動が行える良好な健康状態にあることが必要です。警告: ハーネスを着用して動きの取れない状態のまま吊り下げられると、重度の傷害や死に至る危険があります
- 併用する全ての用具の取扱説明書をよく読み、理解してください
- 取扱説明書は、製品と一緒にユーザーの手に届かなければなりません。また、取扱説明書は製品が使用される国の言語に訳されていないければなりません
- 製品に記されたマーキングが読めなくならないように注意してください

## ANSI/ASSE Z359.18 仕様

- WIRE STROP は、ANSI/ASSE Z359.18 規格の要求事項に忠じてテストされています。注意: 本製品がこの規格に適合していることは、アンカー構造物および本製品が接続されるアンカーには適用されません。そのため、アンカー構造物またはアンカーには 5000 ポンド (22.2 kN) の強度が求められますが、適用される法令によってはそれより低い強度でも使用可能な場合があります。その場合、使用前に十分な知識を持つ人物による確認が必要で、用具の点検またはメンテナンスの期日を過ぎた場合、点検が行われるまでは用具を使用しないよう、ラベル等で明示しておく必要があります。**廃棄基準:** 警告: 極めて異例な状況においては、1 回の使用で損傷が生じ、その後使用不可能になる場合があります (劣悪な使用環境、海に近い環境での使用、鋭利な角との接触、極端な高/低温下での使用や保管、化学薬品との接触等)。以下のいずれかに該当する製品は以後使用しないでください: - プラスチック製品または繊維製品で、製造日から 10 年以上経過した - 大きな墜落を止めた、あるいは非常に大きな荷重がかかった - 点検において使用不可と判断された。製品の状態に疑問がある - 完全な使用履歴が分からない - 該当する規格や法律の変更、新しい技術の発達、または他の器具との併用に適さない等の理由で、使用には適さないと判断された  
このような製品は、以後使用されることを避けるため廃棄してください。**アイコン:**  
**A.耐用年数 (特に設けていません) - B.マーキング - C.使用温度 - D.使用上の注意 - E.クリーニング - F.乾燥 - G.保管 / 持ち運び - H.メンテナンス - I.改造 / 修理 (パーツの交換を除き、ベツルの施設外での製品の改造および修理を禁じます) - J.問い合わせ**

## 3年保証

原材料および製造過程における全ての欠陥に対して適用されます。以下の場合には保証の対象外とします: 通常の磨耗や傷、酸化、改造や変更、不適切な保管方法、メンテナンスの不足、事故または過失による損傷、不適切または誤った使用方法による故障。

## 警告のマーク

1.重傷または死につながるおそれがあります。2.事故や怪我につながる危険性があります。3.製品の機能や性能に関する重要な情報です。4.してはいけない内容です。

## トレーサビリティとマーキング

a.個人保護用具の規格の要求事項に適合。EU 型式検定を行った公認認証機関 - b.この個人保護用具の製造を監査する公認機関の ID 番号 - c.トレーサビリティ: データマトリクスコード - d.アンカーに対しての位置: 墜落距離を抑え、振られによるリスクを軽減するために、アンカーより低い位置で作業してください - e.個別番号 - f.製造年 - g.製造月 - h.ロット番号 - i.個体識別番号 - j.規格 - k.取扱説明書をよく読んでください - l.モデル名 - m.人ひとりに対して使用 (EN 795) または 2 人に対して使用 (TS 16415) できます - n.製造者住所 - o.NFPA 認証機関 - p.構造物への設定方法に応じた強度 - q.長さ





## HU

Jelen használati utasításban arról olvashat, hogyan használja felszerelését. Nem mutatunk be minden használati módot és technikát.

Az eszköz használatával kapcsolatos egyes veszélyekről az ábrák tájékoztatnak, de lehetetlen lenne valamennyi helytelen használati módot ismertetni. A termékek legújabb használati módozatairól és az ezzel kapcsolatos aktuális kiegészítő információkról tájékozódjon a Petzl.com internetes honlapon.

Az új információkat tartalmazó értesítések elővasásáért, betartásáért és a felszerelés helyes használatáért mindenki maga felelős. Az eszköz helytelen használata további veszélyek forrása lehet. Ha jelen információk megértésével kapcsolatban kétsége vagy nehézsége támad, forduljon a Petzl-hez bizalommal.

### 1. Felhasználási terület

Egyéni védőfelszerelés (EVE) a felhasználó magasból való leesés elleni védelmére.

Drótkötél sling.

Felszerelés B típusú átmeneti kikötési pont létrehozásához (EN 795:2012 B típus).

Az eszközt egyszerre kizárólag egy személy használhatja.

A kikötési pont megfelel a CEN/TS 16415 előírásainak: két személyvel való használat.

EN 354:2010 szabványnak megfelelő kántár.

Ne használja ezt az eszközt terhek felemeléséhez.

A terméket tilos a megadott szakítószilárdságánál nagyobb terhelésnek kitenni, vagy más, a megadott használati területeken kívüli célra használni.

### Felelősség

#### FIGYELEM

**A termék használata közben végzett tevékenységek természetükből adódóan veszélyesek.**

**Mindenki maga felelős a saját tevékenységéért, döntéseieért és biztonságáért.**

A termék használata előtt okvetlenül szükséges, hogy a felhasználó:

- Elolvassa és megértse a termékhez mellékelte valamennyi használati utasítást.
- Arra jogosult személytől megfelelő oktatást kapjon.

- Alaposan megismerje a terméket, annak előnyeit és korlátait.

- Tudatában legyen a termék használatával kapcsolatos kockázatoknak, és elfogadja azokat.

**A fenti figyelmeztetések bármelyikének be nem tartása súlyos balesetet vagy halált okozhat.**

A terméket csakis képzett és hozzáértő személyek használhatják, vagy a felhasználók legyenek folyamatosan képzett és hozzáértő személyek felügyelet alatt.

Mindenki maga felelős a saját tevékenységéért, döntéseieért és biztonságáért, és maga viseli a lehetséges következményeket. Ha Ön nincs abban a helyzetben, hogy ezt a felelősséget vállalja vagy ha nem értette meg tökéletesen jelen használati utasítást, kérjük, ne használja a terméket.

### 2. Részek megnevezése

(1) Drótkötél, (2) Köpeny, (3) Karabiner csatlakozónylása, (4) Belső védőburkolat, (5) Védőburkolat, (6) Csatlakozóhurok, (7) Csavaros védőburkolat.

Alapanyagok: galvanizált acél, rozsdamentes acél, alumínium, poliuretán.

### 3. Ellenőrzés, megvizsgálandó részek

Felszerelésének ép állapota az Ön biztonságának záloga.

A Petzl javasolja a felszerelések alapos felülvizsgálatát kompetens személy által, legalább 12 havonta (a használat országában hatályos jogszabályok és a használat körülményeinek függvényében) valamint minden rendkívüli esemény, mint pl. esés megtartása vagy az eszköz leejtése után. Figyelem: a használat intenzitásától függően szükség lehet az egyéni védőfelszerelés gyakoribb felülvizsgálatára. Tartsa be a Petzl.com honlapon ismertetett használati módokat. A felülvizsgálat eredményét az EVE nyilvántartólapján kell rögzíteni: típus, modell, gyártó, egyedi azonosító vagy szárazszám, gyártás, vásárlás és első használatbavétel dátuma, következő esedékes felülvizsgálat időpontja, hibák, megjegyzések, az ellenőr neve és aláírása.

Ajánlatos a termék következő felülvizsgálatának dátumát felírni.

#### Minden egyes használatbavétel előtt

Ellenőrizze köpeny és a drótkötél állapotát (nem láthatók-e deformációk, repedések, elhasználódás jelei, karcolások, korrozó stb.). Ha a védőburkolat miatt nem tudja ellenőrizni a drótkötél állapotát, ne használja a terméket. Ellenőrizze a belső védőburkolat állapotát, valamint az összekötőelem helyes állását.

#### A használat során

Az eszköz állapotát és csatlakoztatását a rendszer többi eleméhez rendszeresen ellenőrizni kell. Győződjön meg arról, hogy a felszerelést eszközök egymáshoz képest jól helyezkednek el.

### 4. Kompatibilitás

Vizsgálja meg, hogy az eszköz kompatibilis-e a használt rendszer többi elemével (kompatibilitás = az eszközök jó együttműködése).

A kikötési ponttal együtt használt eszközöknek meg kell felelniük az adott ország előírásainak (pl. Európában az összekötőelemek az EN 362 szabványnak stb.).

### 5. Használati módok és szakítószilárdság

A WIRE STROP használható egyszerűen (szakítószilárdság 23 kN), egy szerkezet köré hurkolva és önmagán átfűzve (szakítószilárdság 23 kN) vagy egy szerkezetet körülkötve (szakítószilárdság 35 kN, ha a két szár legfeljebb 90° szöget zár be). A szakítószilárdság értékeit a bevizsgálásnál használt szerkezettel azonos szerkezeten mértük. A drótkötél kikötési pont szakítószilárdsága nem haladhatja meg a körülhurkolt vagy körülkötött szerkezet szakítószilárdságát.

A szerkezet körülhurkolása:

A drótkötél sling önmagán való átfűzésénél a legnagyobb szakítószilárdságot egyszemélyi helyzetben érheti el.

Használjon az adott situációnak megfelelő hosszúságú drótkötél slinget, hogy a szög legfeljebb 90°-os legyen. Ha a szög ennél nagyobb, használjon hosszabb drótkötél slinget.

Ügyeljen a szerkezet felületére és a túl hegyes szögekre, mert azok károsíthatják a drótkötél slinget.

A csavaros védőburkolatot soha ne távolítsa el, mert fennáll a veszélye, hogy így tévedésből szakítószilárdság nélküli csatlakoztatást hozhat létre.

### 6. EN 354 szabványnak megfelelő kántár

Kizárólag WIRE STROP 50, 100 és 150 cm.

A drótkötélből készült kántár nem képes az esési energiát elnyelni, ezért a kántár mindig legyen feszes a felhasználó és a kikötési pont között, hogy a beleeesés veszélyét kizárja.

Egy kántár sem használható esés megtartására, ha nincs energiaelnyelőhöz (például ABSOR(BICA) csatlakoztatva. Az energiaelnyelőhöz csatlakoztatott kántár teljes hossza (végződésekkel és összekötőelemekkel együtt) nem haladhatja meg a 2 métert.

Ha úgy ítéli meg, hogy a munkavégzés során a kántár éles felületekkel érintkezhet, a munkavégzés megkezdése előtt tegye meg a megfelelő óvintézkedéseket. Kerülje azokat a zónákat, ahol leesés veszélye áll fenn.

Ez a kántár nem alkalmas csúszócsumók kötésére.

Ne használjon egymás mellett két, külön energiaelnyelővel ellátott kántárát.

### 7. Kiegészítő információk

Ez a termék megfelel az [EK] 2016/425 számú egyéni védőfelszerésekre vonatkozó rendelet előírásainak. Az EK megfeleléségi nyilatkozat a Petzl.com honlapon letölthető.

- A kikötési pontokhoz egyetlen zuhanást megtartó vagy munkahelyzetet pozicionáló rendszer csatlakoztatható.

- Ha a kikötési pontot zuhanást megtartó rendszer részeként használják, a felhasználónak rendelkeznie kell megfelelő eszközzel a maximálisan fellépő dinamikus erő csökkentésére, hogy a megtartási rántás legfeljebb 6 kN legyen.

- A drótkötél slingről a szerkezetre továbbított legnagyobb megengedett terhelés ráhurkolás esetén 23 kN, körülkötés esetén 35 kN lehet.

- A kikötési pont terhelés alatt 20 mm-rel megnyúlhat.

- Ügyeljen a korrozív környezetre, mely károsíthatja a terméket.

- Legyen elérhető távolságban egy mentőfelszerelés szükség esetére.

- A szerkezet vagy a kikötési pont a felhasználó fölött helyezkedjen el és feleljen meg az EN 795 szabvány előírásainak (legalább 12 kN szakítószilárdság).

- Minden zuhanást megtartó rendszerben minden használat előtt feltétlenül ellenőrizni kell a felhasználó alatt rendelkezésre álló szabad eséstérlet, nehogy a felhasználó esés közben a talajnak, a szerkezetnek vagy más tárgynak ütközzön.

- A kikötési pont pozicionálásánál ügyeljen a lehetséges esésmagasság minimalizálására. Mindig maradjon a kikötési pont alatt, hogy egy esetleges esés során csökkentse az eszköz károsodásának veszélyét.

- Lezuhanás megtartására szolgáló rendszerben kizárólag zuhanás megtartására alkalmas teljes testhvederzet használható.

- Többféle felszerelés használata esetén veszélyt jelenthet, ha az egyik felszerelés biztonsági működése a másik eszköz biztonsági működését akadályozza.

- VIGYÁZAT - VESZÉLY: mindig óvja felszerelését a dörszög felületektől vagy éles tárgyaktól, illetve ne tegye ki nyílt lárnak vagy magas hőmérsékletnek, melynek hatására megolvadhat, megéghet vagy elszakadhat.

- A felhasználó egészségi állapota feleljen meg a magasban végzett tevékenység követelményeinek. FIGYELEM: beütközésvédőben való hosszan tartó lógás eszméletlen állapotban súlyos vagy halálos keringési rendellenességekhez vezethet.

- Használat során a rendszer valamennyi elemének használati utasítását be kell tartani.

- A felhasználónak a termékkel együtt a termék használati utasítását is rendelkezésére kell bocsátani a forgalomba hozatal országának nyelvéen.

- Győződjön meg a terméken található jelölések olvashatóságáról.

#### ANSI/ASSE Z359.18 specifikációk

- A WIRE STROP-ot az ANSI/ASSE Z359.18 szabvány előírásai szerint tesztelték. Figyelem, a fenti szabványnak való megfelelés nem terjed ki a szerkezetre vagy azon kikötési pontokra, melyekhez a felszerelést csatlakoztatják. A szabvány keretén belül az eszközzel együtt használt szerkezet vagy kikötési pont szakítószilárdsága legalább 5000 font (22,2 kN) legyen, de ennél alacsonyabb szakítószilárdság elfogadható lehet, ha az adott situációra más jogszabály vonatkozatható. Ilyen esetben a kikötési pontot kompetens személynek kell jóváhagynia.

Ha a felszerelés kötelező felülvizsgálatának vagy karbantartásának dátuma eltelt, jelölje meg a felszerelést, hogy azt a felülvizsgálat elvégzéséig ne lehessen használni.

#### Leselejtézés:

FIGYELEM: adott esetben bizonyos körülményektől (a használat intenzitásától, a használat környezeti feltételeitől: maró vagy vegyi anyagok, tengervíz jelenlététől, éleken való felfekvéstől, extrém hőmérsékleti viszonyoktól stb.) függően a termék élettartama akár egyetlen használatra korlátozódhat.

A terméket le kell selejtezni, ha:

- Több mint 10 éves és tartalmaz műanyag vagy textil alkatrészeket.

- Nagy esés vagy erőhatás érte.

- A termék felülvizsgálatának eredménye nem kielégítő. Ha a használat biztonságosságát illetően bármilyen kétely merül fel.

- Nem ismeri pontosan a termék előzetes használatának körülményeit.

- Használata elavult (jogszabályok, szabványok, technikák változása vagy az újabb felszerelésekkel való kompatibilitás hiánya stb. miatt).

A leselejtezett terméket semmisítse meg, hogy azt a későbbiekben se lehessen használni.

#### Jelmagyarázat:

**A. Korlátlan élettartam - B. Jelölés - C. Használat hőmérséklete - D.**

**Óvintézkedések - E. Tisztítás - F. Szárítás - G. Tárolás/szállítás - H.**

**Karbantartás - I. Módosítások/javítások** (Petzl pótalkatrészek kivételével csak a gyártó szakszervizében engedélyezett) **- J. Kérdések/kapcsolat**

#### 3 év garancia

Minden gyártási vagy anyaghibára. A garancia nem vonatkozik a következőkre: normális elhasználódás, módosítások vagy házlagos javítások, helytelen tárolás, hanyagság, nem rendeltetésszerű használat.

#### Veszélyt jelző piktogrammok

1. Súlyos vagy halálos sérülés kockázatával járó, veszélyes situáció. 2. Váratlan esemény vagy sérülés valós veszélye. 3. Fontos információ a termék működéséről vagy használatáról. 4. Nem kompatibilis felszerelés.

#### Nyomon követhetőség és jelölés

a. Megfelel az egyéni védőfelszerésekre vonatkozó jogszabályoknak. EK tipustanúsítványt kiállító notifikált szervezet - b. Jelen egyéni védőfelszerelés gyártását ellenőrző notifikált szervezet száma - c. Nyomon követhetőség: számsor - d. Munkahely pozicionálása a kikötési ponthoz képest: Mindig maradjon a kikötési pont alatt, hogy csökkentse a lehetséges esésmagasságot vagy a kilendülés veszélyét - e. Egyedi azonosítószám - f. Gyártás éve - g. Gyártás hónapja - h. Tételszám - i. Egyedi azonosító kód - j. Szabványok - k. Olvassa el figyelmesen ezt a tájékoztatót - l. Modell azonosítója - m. Kizárólag egy személy (EN 795) vagy két személy (TS 16415) használatára - n. A gyártó címe - o. NFPA tanúsítványt kibocsátó szervezet - p. Szakítószilárdság a szerkezethez való csatlakoztatás függvényében - q. Hosszúság

Эта инструкция показывает, как правильно использовать ваше снаряжение. Данная инструкция по эксплуатации представляет только некоторые правильные способы и техники использования вашего снаряжения. Предупредительные знаки информируют вас только о некоторых потенциальных рисках, связанных с использованием вашего снаряжения. Инструкция не описывает все возможные риски. Регулярно проверяйте сайт Petzl.com, там вы найдете самую актуальную версию данного документа и дополнительную информацию. Лично вы несете ответственность за соблюдение всех мер предосторожности и за правильное использование своего снаряжения. Неправильное использование данного снаряжения может привести к возникновению дополнительных рисков. В случае возникновения каких-либо сомнений или трудностей обращайтесь в компанию Petzl.

## 1. Область применения

Средства индивидуальной защиты от падения с высоты и средства спасения с высоты (ИСУ).

Тросовый анкерный строп.

Временная точка анкерного крепления типа В (ГОСТ Р EN 795: 2012 тип В), предназначена для использования одним человеком.

Точка анкерного крепления соответствует техническим характеристикам CEN/TS 16415: использование двумя людьми.

Тросовый строп ГОСТ Р EN 354: 2010.

Данное снаряжение не должно использоваться для крепления грузоподъемного оборудования.

Данное изделие не должно подвергаться нагрузке, превышающей предел его прочности, и использоваться в ситуациях, для которых оно не предназначено.

## Ответственность

### ВНИМАНИЕ

**Деятельность, связанная с использованием данного снаряжения, опасна по своей природе.**

**Лично вы несете ответственность за свои действия, решения и безопасность.**

Перед использованием данного снаряжения вы должны:

- Прочитать и понять все инструкции по эксплуатации.
- Пройти специальную подготовку по применению данного снаряжения.
- Ознакомиться с возможностями вашего снаряжения и ограничениями по его применению.
- Осознать и принять возможные риски, связанные с использованием этого снаряжения.

**Игнорирование любого из этих предупреждений может привести к серьезным травмам и даже к смерти.**

Это изделие может использоваться только лицами, прошедшими специальную подготовку, или под непосредственным контролем компетентного лица. Лично вы несете ответственность за свои действия, решения и безопасность, и только вы отвечаете за последствия этих действий. Если вы неспособны взять на себя ответственность за использование данного снаряжения или если вы не поняли инструкции по эксплуатации, не используйте данное снаряжение.

## 2. Составные части

(1) Трос, (2) Оболочка, (3) Присоединительное отверстие для карабина, (4) Коуш, (5) Протектор, (6) Присоединительная петля, (7) Протектор с заглушкой. Материалы: оцинкованная сталь, нержавеющая сталь, алюминий, полиуретан.

## 3. Детальная проверка

Ваша безопасность напрямую связана с состоянием вашего снаряжения.

Petzl рекомендует проводить детальную проверку компетентным лицом как минимум каждые 12 месяцев (в зависимости от местного законодательства в вашей стране, а также от условий использования снаряжения) и после любых исключительных происшествий при использовании изделий: например, после остановки падения или же падения самого изделия. Внимание: при высокой интенсивности использования может потребоваться чаще проводить детальную проверку вашего СИЗ. При проведении детальную проверку следуйте рекомендациям на сайте Petzl.com. Результаты детальную проверки заносится в инспекционную форму вашего СИЗ, в которой должна содержаться следующая информация: тип снаряжения, модель, контактная информация производителя, серийный или индивидуальный номер, дата изготовления, дата покупки, дата первого использования, дата следующей детальной проверки, дефекты, примечания, имя и подпись инспектора. Рекомендуются указывать на снаряжении дату следующей детальной проверки.

### Перед каждым использованием

Проверьте состояние оболочки и троса, (на отсутствие трещин, деформаций, отметин, следов износа и коррозии и т.д.). Если состояние оболочки не позволяет проверить состояние троса, прекратите использование вашего изделия. Проверьте состояние коуша и протекторов, а также убедитесь, что они удерживают карабин в правильном положении.

### Во время использования

Важно регулярно проверять состояние снаряжения и его присоединение к другим элементам системы. Убедитесь, что все элементы снаряжения правильно расположены друг относительно друга.

## 4. Совместимость

Проверьте совместимость этого снаряжения с другими элементами системы в контексте вашей задачи (совместимость означает хорошее, эффективное взаимодействие).

Снаряжение, которое вы используете с вашей точкой анкерного крепления, должно соответствовать местному законодательству в вашей стране (например, соединительные элементы – ГОСТ Р EN 362).

## 5. Установка и прочность

WIRE STROP допускает следующие варианты использования: присоединение напрямую к точке анкерного крепления (прочность 23 кН), закрепление петель на конструкции (прочность 23 кН) и закрепление вокруг конструкции (прочность 35 кН при величине угла между двумя концами троса в максимум 90°). Показатели прочности были измерены на конструкции, идентичной использовавшейся при проведении сертификационных тестов. Прочность точки анкерного крепления не превышает прочности конструкции, на которую она установлена.

Установка петель на конструкции:  
Для обеспечения максимальной прочности при установке троса петель на конструкции расположите его равномерно.  
Используйте строп подходящей длины, позволяющей обеспечить угол между двумя концами троса в максимум 90° при его закреплении вокруг конструкции. Если угол превышает 90°, используйте строп большей длины. Обратите внимание на поверхность конструкции и наличие острых углов, которые могут повредить строп.  
Не снимайте заглушку протектора: это создало бы риск случайного присоединения с нулевой прочностью.

## 6. Тросовый строп ГОСТ Р EN 354

Только WIRE STROP 50, 100 и 150 см.

Строп из троса не поглощает энергию при срыве: всегда держите строп между пользователем и точкой анкерного крепления под нагрузкой для избежания риска падения.

Если строп не присоединен к амортизатору рыка (например, ABSORBICA), он не должен использоваться для остановки падения. Общая длина троса, присоединенного к амортизатору рыка, не должна превышать 2 м (включая конечные элементы и карабины).

Если перед началом работ вы заметили риск контакта троса с острыми крошками, примите меры по его защите.

Избегайте зон, в которых существует риск падения.

Данный строп не предназначен для создания скользящих узлов.

Не следует использовать одновременно два троса, каждый из которых снабжен амортизатором рыка.

## 7. Дополнительная информация

Данное снаряжение отвечает требованиям регламента (ЕС) 2016/425 СИЗ.

Декларация о соответствии требованиям ЕС находится на сайте Petzl.com.

К точкам крепления может быть присоединена только одна система для остановки падения или для рабочего позиционирования.

- Когда точка анкерного крепления используется как часть системы индивидуальной защиты от падения с высоты, пользователь должен применять устройство для уменьшения максимальной силы, действующей на него при остановке падения (максимальное допустимое значение – 6 кН).

- Максимальная нагрузка, передаваемая структуре через тросовый анкерный строп, – 23 кН при закреплении троса петель на конструкции и 35 кН при закреплении вокруг конструкции.

- Под нагрузкой может произойти удлинение точки анкерного крепления на 20 мм.

- Внимание: использование в агрессивной среде может повредить изделие.

- Вы должны иметь план спасательных работ и средства для быстрого его реализации на случай возникновения чрезвычайных ситуаций.

- Конструкция или точка анкерного крепления для системы предпочтительно должны располагаться над пользователем, и они должны отвечать требованиям стандарта ГОСТ Р EN 795 (допустимая нагрузка – не менее 12 кН).

- При использовании системы защиты от падения очень важно проверять перед началом ее применения наличие минимальной необходимой глубины свободного пространства под пользователем, чтобы избежать удара о препятствие или о землю в случае падения.

- Следите за тем, чтобы точка анкерного крепления была правильно установлена, чтобы свести к минимуму риск падения и уменьшить его высоту.

- Всегда оставайте ниже точки анкерного крепления для уменьшения риска повреждения изделия в случае падения.

- Страховочная привязь для защиты от падения – единственное устройство для удержания тела человека, которое может использоваться в системах защиты от падения.

- В случае использования вместе разных видов снаряжения может возникнуть опасная ситуация, когда безопасная работа одного элемента снаряжения может быть нарушена безопасной работой другого элемента снаряжения. - ВНИМАНИЕ, ОПАСНОСТЬ: следите, чтобы ваше снаряжение не терлось об абразивные поверхности и острые предметы и не подвергалось прямому воздействию огня или высокой температуры, которые могут привести к оплавлению и разрыву троса.

- Пользователь, работающий на высоте, должен иметь медицинский допуск к такому виду работ. ВНИМАНИЕ: зависание в привязи без движения может привести к серьезным травмам и даже к смерти.

- Инструкции по эксплуатации для любого снаряжения, связанного с использованием данного изделия, также должны быть приняты во внимание.

- Инструкция по эксплуатации должна поставляться вместе с оборудованием и на языке страны, в которой оно используется.

- Убедитесь, что маркировка изделия может быть прочитана.

### Стандарт ANSI/ASSE Z359.18

- WIRE STROP прошел испытания согласно требованиям стандарта ANSI/ASSE Z359.18. Внимание: требования этого стандарта не распространяются на конструкцию и точки анкерного крепления, к которым присоединяется снаряжение. Конструкция и точки анкерного крепления должны иметь прочность, достаточную для выдерживания нагрузки в 5000 фунтов (22,2 кН). Меньшая прочность также может быть допущена – в зависимости от законодательства, применяемого в вашем случае. В такой ситуации использование точки анкерного крепления должно быть одобрено компетентным лицом.

Если дата плановой проверки или техобслуживания прошла, необходимо прикрепить к снаряжению ярлык, показывающий, что использование снаряжения до проведения проверки не допускается.

### Выборка снаряжения:

ВНИМАНИЕ: особые обстоятельства могут вызвать уменьшение срока службы изделия, вплоть до однократного применения; например: способ и интенсивность использования, воздействие окружающей среды, воздействие морской среды, работа с химикатами, экстремальные температуры, контакт с острыми крошками и т.д.

Немедленно выбраковывайте любое снаряжение, если:

- Ему больше 10 лет и оно изготовлено из пластика или текстиля.
- Оно подвергалось падению, сильному рынку или большой нагрузке.
- Оно не удовлетворило требованиям при осмотре или проверке. У вас есть сомнения в его надежности.
- Вы не знаете полную историю его эксплуатации.

- Когда оно устарело и более не соответствует новым стандартам, законам, технике или несоответно с другим снаряжением и т.д.

Чтобы избежать дальнейшего использования выбракованного снаряжения, он следует уничтожить.

### Рисунки:

**А. Срок службы неограничен - В. Маркировка - С. Допустимый температурный режим - D. Меры предосторожности - E. Чистка - F. Сушка - G. Хранение/транспортировка - H. Обслуживание - I. Модификация/ремонт (запрещены вне мастерских Petzl, за исключением заменяемых частей) - J. Вопросы/контакты**

### Гарантия 3 года

От любых дефектов материала и производственных дефектов. Гарантия не распространяется на следующие случаи: нормальный износ, окисление, изменение конструкции или переделка изделия, неправильное хранение и плохой уход, повреждения, вызванные небрежным отношением к изделию, а также использование изделия не по назначению.

### Предупредительные знаки

1. Ситуация, представляющая неизбежный риск получения серьезных травм или ведущая к смерти. 2. Ситуация, представляющая риск возникновения несчастного случая или получения травм. 3. Важная информация о работе или о характеристиках вашего снаряжения. 4. Техническая несовместимость.

### Прослеживаемость и маркировка продукции

a. Отвечает требованиям стандартов, относящихся к СИЗ. Зарегистрированная организация, которая провела проверку на соответствие стандартам ЕС - b. Номер организации, осуществляющей производственный контроль данного СИЗ - c. Прослеживаемость: матрица данных - d. Положение пользователя по отношению к точке анкерного крепления: для уменьшения потенциальной глубины падения и снижения риска возникновения матника всегда оставайтесь ниже точки анкерного крепления - e. Серийный номер - f. Год изготовления - g. Месяц изготовления - h. Номер партии - i. Индивидуальный номер изделия - j. Стандарты - k. Внимательно читайте инструкцию по эксплуатации - l. Идентификация модели - m. Предназначено для использования одним человеком (ГОСТ Р EN 795) или двумя людьми (TS 16415) - n. Адрес производителя - o. Сертифицирующий орган NFPA - p. Прочность в зависимости от установки на конструкции - q. Длина

这份说明书将向您解释如何正确使用您的装备。这里只描述部分使用方法和技术。

警示标志将告知您使用该装备时的某些潜在危险，但不可能全部描述。请登录Petzl.com查阅更新和附加信息。

您有责任阅读每一条警示且正确使用您的装备。任何错误的使用都将造成额外危险。如果您有任何疑问或对于理解这些文件有困难的话，请联系Petzl。

## 1.应用范围

用于高空坠落保护的个人防护设备（PPE）。

钢缆锚点。

B类临时确定点（EN 795:2012 B类），仅用于单人。

符合 CEN/TS 16415技术规范、供双人使用的确定点。

EN 354:2010挽索。

请勿使用该设备进行吊装工作。

使用该产品时，不可超出其负荷限制，也不可用于设计之外的用途。

### 责任

#### 警告

凡涉及及使用此装备的活动都具有一定危险性。

您应对个人的行动、决定和安全负责。

在使用此装备前，您必须：

- 阅读并理解全部使用指南。
- 针对该设备的使用，进行特定训练。
- 熟悉您的装备，了解其性能及使用限制。
- 理解并接受所涉及的风险。

一旦忽视上述任何一条警告，将有可能造成严重伤害甚至死亡。

该产品只能由有能力且负责任的人使用，或在有能力且负责任的人的直接目视监督下使用。

您应对个人的行动、决定和安全负责并承担后果。如果您无法承担相关责任或无法完全理解本使用说明，那么不要使用此装备。

## 2.部件名称

(1)钢缆，(2)保护外皮，(3)锁扣连接孔，(4)鸡心环，(5)保护套，(6)连接环，(7)带螺栓的保护套。

材料:镀锌钢、不锈钢、铝、聚氨酯。

## 3.检测、检查要点

您的安全和您装备的状态密切相关。

Petzl建议至少每12个月请专业人员进行全面检测（根据每个国家现行法规以及具体使用情况）以及所有特殊情况，比如发生坠或产品自身掉落。警告：高频率的使用会需要您更加频繁地检查您的PPE。请根据Petzl.com网站上描述的操作方式进行检查。在您的PPE检查表格中记录：类型、型号、生产商信息、序列号或独立编码，生产、购买、第一次使用和之后每次定期检测的日期，问题、评论、检查者姓名和签名。建议在您的产品上标注下一次检查日期。

### 每次使用前

检查保护外皮和钢缆上没有：变形、裂纹、划痕、磨损、腐蚀等迹象。如果保护外皮的状态使您无法检查钢缆，请勿使用您的产品。检查鸡心环和保护套的状态，以及锁扣是否定位良好。

### 每次使用时

经常检查产品状况及其与系统内其他设备的连接状况，是至关重要的。确保系统内所有设备均互相正确连接。

## 4.兼容性

验证该产品在操作时与其他组件的兼容性（兼容性=良好的功能互动）。

与锚点配合使用的设备必须符合您所在国家的现行标准（如：EN 362锁扣标准）。

## 5.安装和强度

WIRE STROP可单臂使用(强度23千牛)，在某个结构上打套结(强度23千牛)或环绕某个结构(钢缆双臂之间不超过90°时，强度为35千牛)。强度值测量时使用的结构和认证时使用的结构完全相同。锚点受到的拉力不可以超过打套结或环绕的结构强度。

打套结的位置：

在某结构上打套结时，要使钢缆平衡以获得最佳强度。使用符合您具体情况的长度的钢缆，在您环绕某结构时最大不超过90°。如果角度更大，则需要使用更长的钢缆锚点。

注意结构的表面状态和角度可能很锋利会损坏钢缆锚点。切勿拆卸保护套的螺栓，可能会有错误连接到无强度位置的风险。

## 6.EN 354挽索

WIRE STROP只有50、100和150厘米的长度。

钢缆挽索无法吸收坠落的能量，因此请保持挽索在使用者和锚点之间紧绷的状态，以避免坠落风险。

一条挽索如果没有连接一个势能吸收器(例如ABSORBICA)，则不能用于止坠。连接一个势能吸收器的挽索总长度不能超过2米(端头和锁扣也包含在内)。

开始工作前，如果您认为挽索存在与锋利边缘接触的风险，则需要采取必要的预防措施。

避免进入存在坠落风险的区域。

该挽索不可用于打套结。

请勿同时使用两条都各自分别连接有一个势能吸收器的挽索。

## 7.附加信息

该产品符合欧盟2016/425个人保护设备法规。请登录Petzl.com查看符合欧盟标准声明。

- 只能有一个止坠系统或定位系统可被连接到连接点。
- 当锚点设备作为止坠系统的一部份使用时，使用者必须配备能减小冲击力的装置，当坠落发生时，使用者受到的最大冲击力不得超过6千牛。
- 在打套结的情况下，钢缆锚点的最大强度为23千牛，在环绕结构的情况下则达到35千牛。
- 锚点在受力状态下可以延展20毫米。
- 请注意腐蚀环境可能损害产品。
- 您必须提前制定必要的救援方案，以便遇到困难时可以迅速实施。
- 确定点或锚点结构最好置于使用者之上，而且应符合EN 795标准（最小强度为12千牛）。
- 在止坠系统中，每次使用前都必须检查使用者下方是否留有足够的净空距离，从而避免在坠落时与地面或障碍物发生碰撞。
- 确保锚点正确放置，从而降低坠落的风险并缩短坠落距离。请保持位于锚点下方的位置，以缩短坠落距离，降低坠落时导致产品损坏的风险。
- 防坠落安全带是止坠系统中唯一可用来支撑身体的装备。
- 当多个装备组合在一起使用时，一件装备的安全功能可能会影响另一件装备的安全功能，从而导致突发危险情况出现。
- 危险警告，注意不要让产品在磨损性或尖锐的材料上摩擦，也不要与火苗或高温接触，这可能导致产品融化、燃烧或断裂。
- 使用者的身体条件必须适合高空作业。警告：无意识地悬挂于安全带上，可能导致严重的生理伤害甚至死亡。
- 任何装备在与此装备一同使用时，必须严格遵守其使用说明。
- 使用说明必须以产品使用国家的语言提供给使用者。
- 确保产品上的标记清晰可见。

### 技术信息 ANSI/ASSE Z359.18

- WIRE STROP在ANSI/ASSE Z359.18标准下进行了测试。

警告：该标准的达标内容并不包括锚点结构或设备将连接的确定点。在这个标准下，锚点结构或确定点需要达到5000磅（22.2千牛）的强度。若小于此强度，根据您具体情况的法规要求，可能可以被接受。这种情况下，确定点需要由一位专业技术人员检查并确认。

如果设备检测或维护日期已过，只要未经检测就请贴上勿使用该设备的标志。

### 淘汰您的装备：

警告：一次意外事故可能导致产品在首次使用后即被淘汰（这取决于使用方式及强度、使用环境：严酷的环境、海洋环境、尖锐边缘、极限温度、化学产品等）。

何时需要淘汰您的装备：

- 塑料或纺织产品自生产之日起已超过10年。
- 经历过严重冲击或负荷。
- 无法通过产品检测。您对其安全性产生怀疑。
- 您不清楚产品的全部使用历史。
- 因为法律、标准、技术或与其它装备不兼容等问题而不得不淘汰。

销毁这些产品以防将来误用。

### 图标：

A.无限制的寿命 - B.标志 - C.使用温度范围 - D.使用注意 - E.清洁 - F.干燥 - G.存放/运输 - H.维护 - I.改装/修理（不能在Petzl以外的地方修理，除了更换零件） - J.问题/联络

### 3年质保

针对材料或生产上的缺陷。例外：正常的磨损、氧化、自行改装或改良、不正确存放、欠佳的保养、使用疏忽或用于非该产品设计之用途。

### 警告标志

1.表示有即刻产生严重伤害或死亡风险的情况。2.表示有潜在的意外或伤害风险。3.表示产品在功能或性能方面的重要信息。4.表示装备的不兼容性。

### 可追溯性及标示

a.符合PPE监管要求。进行EU测试的认证机构 - b.为PPE做生产检测的认证机构序号 - c.追踪：信息 - d.与锚点的位置关系:请保持位于锚点下方的位置，以缩短坠落距离和降低发生摆荡的风险 - e.独立编码 - f.生产年份 - g.生产月份 - h.序列号 - i.独立身份识别号 - j.标准 - k.仔细阅读说明书 - l.型号识别 - m.仅限单人（EN 795）或双人（TS 16415）使用 - n.生产商地址 - o.NFPA的认证机构 - p.在结构上不同位置的强度 - q.长度

본 설명서는 장비를 정확하게 사용하는 방법을 설명한다. 특정 기술 및 사용 방법만을 소개한다. 사용자의 장비 사용과 관련된 잠재적인 위험에 대한 정보를 전달한다 모든 것을 설명하는 것은 불가능하다. 최신 정보 및 추가 정보는 Petzl.com을 확인한다. 각각의 경고 내용 확인 및 정확한 장비 사용은 사용자에게 책임이 있다. 장비의 오용은 추가적인 위험을 야기할 수 있다. 본 설명서를 이해하는데 어려운 점이나 의문점이 있으면 (주) 안나푸르나로 연락한다.

**1. 적용 분야**

추락 보호의 용도로 사용되는 개인 보호 장비 (PPE), 앵커 케이블, B 유형의 임시 앵커 장비 (EN 795: 2012 유형 B), 1인용 전용, CEN/TS 16415를 준수하는 앵커 장비: 2인 사용, EN 354: 2010 렌야드, 본 장비를 끌어 올리는 수단으로 사용하지 않는다. 본 제품은 자체 강도 이상으로 힘을 가해서는 절대 안되며, 제작 용도 이외의 다른 목적으로 사용되어서는 안 된다.

**책임**

**경고**  
이 장비의 사용과 관련된 활동은 위험성이 내재되어 있다. 자신의 행동이나 결정, 그리고 안전에 대한 책임은 사용자에게 있다.

이 장비를 사용하기 전에, 반드시 알아야 할 사항:  
- 사용에 관한 모든 설명서를 읽고 이해하기.  
- 장비의 적절한 사용을 위한 구체적인 훈련 받기.  
- 장비의 사용법과 사용 한도에 대해 숙지하고 친숙해지기.  
- 관련된 위험을 이해하고 숙지하기.

**이런 경고를 유념하지 않으면 심각한 부상이나 사망을 초래할 수 있다.**

본 장비는 전문가와 책임질 수 있는 사람이 사용할 수 있고, 전문가에 의해 직접적으로 문으로 볼 수 있는 통솔 아래 사용되어야 한다. 행동이나 결정, 그리고 안전에 대한 책임은 사용자에게 있으며 결과물에 대해 예측할 수 있어야 한다. 모든 위험을 책임질 능력이 없거나 그런 위치에 있지 않다면, 그리고 사용 설명서를 충분히 이해하지 못했다면 본 장비를 사용하지 않는다.

**2. 부분 명칭**

(1) 케이블, (2) 피복, (3) 카라비너부착 구멍, (4) 골무, (5) 슬리브, (6) 부착 고리, (7) 나사형 플러그 슬리브. 재질: 아연 도금 스틸, 스테인리스 스틸, 알루미늄, 폴리우레탄.

**3. 검사 및 확인사항**

사용자의 안전은 장비의 온전한 상태에 달려있다. Petzl은 적어도 일년에 한 번 (사용 국가의 현재 규정과 사용자의 사용 환경에 따라) 그리고 제동된 추락 또는 제품 자체가 떨어지는 경우와 같은 예외적인 사건이 발생한 후에 전문가의 세부 검사를 받는 것을 권장한다. 경고: 사용 강도에 따라 PPE를 더 자주 검사할 수 있다. Petzl.com에 설명된 절차를 따른다. PPE 장비 서식에 유형, 모델, 제조자 정보, 일련 번호 또는 개별 번호, 제조일, 구매일, 최초 사용일, 검사 내용, 문제점, 검사관의 이름 및 서명 등의 PPE 검사 결과를 기록한다. 제품에 다음 검사 일자를 기록해둘 것을 권장한다.

**매번 사용 전**

피복과 케이블의 상태 (변형, 균열, 마크, 마모, 부식 등...)를 점검한다. 만약 피복 상태로 인해 케이블의 상태를 확인할 수 없는 경우에는 제품 사용을 중단한다. 골무 및 슬리브의 상태를 확인하고 연결 장비가 제 위치에 올바르게 고정되었는지 확인한다.

**제품 사용 도중**

제품의 상태와 장비에 연결된 다른 장비와의 연결 부분을 정기적으로 검사하는 것이 매우 중요하다. 장비에 연결된 모든 제품들이 각각 정확한 위치에 있는지 확인한다.

**4. 호환성**

본 제품이 사용 시 다른 장비 및 시스템과 호환되는지 확인한다 (호환이 된다 = 순기능적 상호작용). 앵커와 함께 사용되는 장비는 반드시 해당 국가의 현재 표준을 충족해야한다 (예: EN 362 커넥터).

**5. 설치 및 강도**

WIRE STROP은 싱글 모드 (강도 23 kN), 구조물 주변을 막거나 (강도 23 kN) 또는 구조물 주변을 감아 사용될 수 있다 (케이블의 두 팔 사이에 최대 각도가 90°인 강도 35 kN). 강도 값은 인장 시 사용한 것과 동일한 구조물에서 측정된다. 앵커의 강도는 막히거나 감겨진 구조물의 강도보다 크지 않다. 마힌 구성: 구조물 주변을 막을 때, 최적의 강도를 위해 케이블을 균일하게 조절한다. 상황에 적합한 케이블 길이를 사용한다: 구조물을 감쌀 때 최대 90° 각도를 유지할 수 있는 케이블 길이를 사용한다. 만약 각도가 더 크면, 더 긴 케이블을 사용한다. 케이블을 손상시킬 수 있는 너무 날카로운 구조물의 표면과 각도를 주의한다. 슬리브에서 플러그를 제거하지 않는다: 실수로 강도가 없는 부속물을 만들 위험이 있다.

**6. EN 354 렌야드**

WIRE STROP 50, 100 및 150 cm만 해당. 케이블 렌야드는 추락 에너지를 흡수할 수 없다; 사용자와 앵커 사이의 렌야드를 팽팽하게 유지하여 추락 위험을 방지한다. 충격 흡수제 (예: ABSORBIKA)에 연결되어 있지 않은 경우라면, 절대 렌야드를 사용하여 추락을 방지하지 않는다. 충격 흡수제에 연결된 렌야드의 총 길이는 절대 2 m를 초과하지 않아야 한다 (렌야드 끝과 커넥터 포함). 작업 시작 전, 렌야드가 날카로운 가장자리에 접촉될 것 같다고 생각되면 적절한 예방 조치를 취해야한다. 주의 위험이 있는 것을 피한다. 본 렌야드는 초커 히치(choker hitches)를 만드는 용도로 설계되지 않았다. 충격 흡수제가 각각 장착된 두 개의 렌야드를 병렬로 사용해서는 안된다.

**7. 추가 정보**

본 제품은 개인 보호 장비에 관한 규정 (EU) 2016/425의 필수 요건에 부합한다. EU 표준 적합성 선언서는 Petzl.com에서 확인 가능하다. - 오로지 하나의 추락 제동 또는 위치 확보 시스템만 부착 지점에 연결될 수 있다. - 앵커 장비가 추락 제동 시스템의 일부로 사용될 때, 사용자는 추락 시 사용자에게 가해지는 충격력을 최대 6 kN까지 제한하는 수단을 반드시 갖추어야 한다. - 앵커 케이블에 의해 구조물에 전달될 수 있는 최대 하중은 마힌 구성에서 23 kN이고 구조물 주변을 감싸는 경우 35 kN이다. - 앵커는 하중을 받을 때 20 mm 늘어날 수 있다. - 제품을 저하시킬 수 있는 부식 환경에 주의한다. - 사용자는 장비 사용 도중에 우연히 부딪치게 될 위험에 대비하여, 반드시 신속하게 이행할 수 있는 구조 계획과 방법을 가지고 있어야 한다. - 앵커 또는 구조물용 앵커 지점은 가급적 사용자 위치보다 위에 위치되어야 하고, 규정 EN 795 (최소 강도 12 kN)의 요건을 충족해야 한다. - 추락 제동 시스템에서, 추락 시 지면에 충돌하거나 장애물에 부딪히지 않도록 매번 사용 전 사용자 아래의 필요한 여유 공간을 확인하는 것이 필수적이다. - 위험 및 추락 길이를 제한하기 위해, 앵커 지점이 올바른 위치에 있는지 확인한다. 추락의 경우, 제품 손상의 위험을 줄이기 위해서 앵커 지점 아래에 위치해야 한다. - 추락 제동 안전벨트는 추락 제동 시스템에서 사용자의 신체를 지탱하는 유일한 장비이다. - 여러 개의 장비를 사용할 때, 한 가지 장비의 안전 성능이 다른 장비의 작동과 연관되어 있다면 위험한 상황을 불러올 수 있다. - 경고 - 위험: 장비가 연마재나 날카로운 표면에 마찰되지 않도록 주의하고, 제품이 녹거나 타거나 파손될 수 있는 화염 또는 고온에 닿지 않도록 한다. - 사용자는 반드시 고소 활동에 의학적으로 적합해야 한다. 경고: 안전벨트에서 자력으로 행동할 수 없는 상태로 매달리는 것은 심각한 부상 또는 사망을 초래할 수 있다. - 이 제품과 함께 사용되는 각 장비의 사용 설명서에 반드시 따른다. - 본 제품의 사용설명서는 장비가 사용되는 국가의 언어로 제공되어야만 한다. - 제품의 마킹이 식별 가능한지 확인한다.

**ANSI/ASSE Z359.18 사양**

- WIRE STROP은 ANSI/ASSE Z359.18 표준의 요구 사항에 따라 테스트되었다. 경고: 이 표준의 준수는 구조용 앵커 포인트 또는 장비가 연결되는 앵커로 확장되지 않는다. 이와 관련해서, 구조물용 앵커 지점 또는 앵커는 5000 파운드 (22.2 kN)의 강도를 가져야 하지만 사용자의 상황에서 적용 가능한 법률에 따라 낮은 강도가 허용될 수 있다. 이 경우, 앵커는 사용 전에 반드시 전문가의 승인을 받아야 한다. 만약 장비의 점검 또는 유지 보수 날짜가 경과한 경우, 점검이 완료될 때까지 장비의 사용을 절대 금지한다는 라벨을 장비에 부착한다.

**장비 폐기 시점:**

경고: 제품의 수명은 제품의 형태, 사용 강도 및 사용 환경에 따라 단 한번의 사용으로도 줄어들 수도 있다 (가진 환경, 고습 환경, 날카로운 모서리, 극한의 기온, 화학 제품 등). 다음과 같은 경우 제품을 폐기해야한다: - 플라스틱 또는 섬유 재질로 제작된 장비가 10 년 이상일 경우 경우. - 심한 추락이나 하중을 받은 적이 있는 경우. - 검사에 통과하지 못한 경우. 장비의 보전 상태가 의심되는 경우. - 장비에 대한 기록을 전혀 모를 경우. - 적용 규정, 기준, 기술의 변화 또는 다른 장비와 호환되지 않는 경우 등. 이러한 장비가 다시 사용되는 일이 없도록 폐기한다.

**제품 참조:**

A. 제품 수명: 무제한 - B. 마킹 - C. 허용 온도 - D. 사용 주의사항 - E. 세척 - F. 건조 - G. 보관/운반 - H. 제품 관리 - I. 수리/수선 (Petzl 시설 외부에서는 부품 교체를 제외한 수리 금지) - J. 문의사항/연락

**3 년간 보증**

원자재 또는 제조상의 결함에 대해 3 년간의 보증 기간을 갖는다. 제외: 일반적인 마모 및 찢김, 산화, 제품 변형 및 개조, 부적절한 보관, 올바르게 사용하지 않은 유지 관리, 사용상 주의, 제작 용도 이외의 사용 등.

**경고 기호**

1. 심각한 부상 또는 사망의 갑작스런 위험이 존재하는 상황. 2. 사고 또는 부상의 잠재적인 위험에 노출. 3. 사용자의 장비의 성능 및 작업 수행에 대한 중요한 정보. 4. 장비 비호환성.

**추적 및 마킹**

a. PPE 규정의 요구 사항을 충족한다. EU 유형 검사를 수행하는 인증 기관 - b. 본 PPE의 생산 관리를 수행하는 인증 기관의 번호 - c. 추적: 데이터 매트릭스 - d. 앵커에 상대적인 위치 지정: 잠재적 추락 거리와 팬들럼의 위험을 줄이기 위해 앵커 포인트 아래에 위치한다 - e. 일련 번호 - f. 제조년도 - g. 제조월 - h. 배치 번호 - i. 개별 식별번호 - j. 기준 - k. 사용 설명서를 주의 깊게 읽는다 - l. 모델 식별 - m. 1 인용 (EN 795) 또는 2 인용 (TS 16415) - n. 제조업체 주소 - o. NFPA 인증 기관 - p. 구조물의 배치에 따른 강도 - q. 길이

В тази листовка е обяснено как правилно да използвате средството. Представени са само някои методи и начини на употреба.

Предупредителни надписи ви информират за потенциални рискове, свързани с употребата на средството, но не е възможно да бъдат описани всички. Следете редовно актуализацията и допълнителната информация на страницата Petzl.com.

Вие носите отговорност за спазването на всяко предупреждение и за правилното използване на средството. Всяко неправилно действие при използване на средството ще доведе до допълнителен риск. Свържете се с Petzl, ако имате съмнения или затруднения да разберете нещо.

## 1. Предназначение

Лично предпазно средство (ЛПС) срещу падане от височина.

Примка за закрепвания.

Временно осигурително устройство тип В (EN 795: 2012 тип В), предназначено за използване само от едно лице. Осигурително устройство, съответстващо на CEN/TS 16415: едновременно използване от две лица.

Предпазно въже EN 354: 2010.

Не използвайте този продукт за подемно средство.

Този продукт не трябва да се използва извън неговите възможности или в ситуации, за които не е предназначен.

### Отговорност

#### ВНИМАНИЕ

**Дейността, изискващи употребата на това средство, по принцип са опасни.**  
**Вие носите отговорност за вашите действия, решения и за вашата безопасност.**

Преди да започнете да употребявате това средство, трябва:

- Да прочетете и разберете всички инструкции за употреба.
- Да научите специфичните за средството начини на употреба.
- Да се усъвършенствате в работа със средството, да познавате качествата и възможностите му.
- Да разберете и осъзнаете съществуващия риск.

**Неспазването дори на едно от тези предупреждения може да доведе до тежки, дори смъртноосни травми.**

Този продукт трябва да се използва или от компетентни и добре осведомени лица, или работещит с него трябва да бъде под непосредствен зрителен контрол на такова лице.

Вие носите отговорност за вашите действия, решения и за вашата безопасност и вие ще поемете последните. Ако не сте в състояние да поемете тази отговорност или не сте разбрали добре указанията за употреба, не използвайте това средство.

## 2. Номерация на елементите

(1) Въже, (2) Обвивка, (3) Отвор за закачане на карабинер, (4) Кауш, (5) Шлаух, (6) Ухо за закачане, (7) Шлаух със завита тапа.

Съставни материали: галванизирана стомана, неръждаема стомана, алуминиева сплав, полиуретан.

## 3. Контрол, начин на проверка

Вашата безопасност зависи от състоянието на средствата.

Petzl препоръчва задълбочена проверка от компетентно лице най-малко веднъж на всеки 12 месеца (в зависимост от действащите в страната наредби и от начина и условията на употреба) и след всяко извънредно събитие като сериозно падане или падане на самия продукт. Внимание: ако използвате ЛПС интензивно, може да се наложи по-често извършване на инспекция. Спазвайте указанията за проверка, посочени на Petzl.com. Запишете резултатите от проверката в паспорта на ЛПС- тип, модел, данни за производителя, серийен или индивидуален номер, датите на производство, покупка, първа употреба, следваща периодична проверка, дефекти, забележки, име и подпис на инспектора.

Препоръчително е да се отбележи датата за следваща проверка на продукта.

#### Преди всяка употреба

Проверете състоянието на обвивката на въжето (за липса на деформации, пукнатини, износване, белези, корозия...). Ако състоянието на обвивката не позволява проверка на състоянието на въжето, продуктът не трябва да се използва. Проверявайте състоянието на кауша, шлауха и правилното фиксиране на карабинера.

#### По време на употреба

Важно е да следите редовно за състоянието на продукта и връзката му с останалите средства от системата. Уверете се, че отделните средства са правилно разположени едно спрямо друго.

## 4. Съвместимост

Проверете съвместимостта на този продукт с останалите елементи от системата при вашия начин на приложение (съвместимост = правилно функциониране на елементите).

Елементите, които се използват със средството за закрепване, трябва да отговарят на действащите стандарти в страната (например съединителите да отговарят на EN 362).

## 5. Поставяне и якост

WIRE STROP може да се използва единичен (якост 23 kN), поставен с котвен възел около конструктивен елемент (якост 23 kN) или с обгръщане на конструктивен елемент (якост 35 kN при максимален ъгъл 90° между двата края на примката). Стойностите за якостта са измерени на конструкции, идентична с използваната по време на сертифицирането. Якостта на закрепването не може да бъде по-голяма от якостта на конструктивния елемент, върху когото е направено.

Поставяне с котвен възел:

Когато поставяте проволката с котвен възел, трябва добре да я уравновесите, за да имате оптимална якост.

Използвайте стоманена проволка с подходяща дължина, така че при обгръщане на опорния елемент ъгълът да бъде най-много 90°. Ако се получава по-отворен ъгъл, използвайте по-дълга проволка. Внимавайте за състоянието на повърхността на конструктивния елемент и за остри ръбове, който биха могли да повредят проволката. Не демонтирайте тапата, поради риск от грешно включване на карабинера само към шлауха, който няма никаква якост.

## 6. Предпазно въже EN 354

Само WIRE STROP 50, 100 и 150 cm.

Предпазното въже от стоманена проволка не може да поглъща енергия при падане, внимавайте въжето между работещия и опорната точка да бъде опънато, за да се избегне риск от падане.

Едно предпазно въже не трябва да се използва за спиране на падане, ако не е свързано с поглъщател на енергия (например ABSORBICA). Общата дължина на предпазното въже с поглъщател на енергия не трябва да е повече от 2 m (включително с карабинерите).

Ако преди започване на работа прещените, че съществува риск за въжето поради контакт с остър ръб, вземете необходимите предпазни мерки. Избягвайте да работите в зони, в които съществува риск от падане.

Това предпазно въже не е предназначено за направа на самозатягащи възли. Не използвайте две предпазни въжета, закачени успоредно, всяко едно с поглъщател на енергия.

## 7. Допълнителна информация

Този продукт съответства на регламент (ЕС) 2016/425 относно личните предпазни средства. ЕС декларацията за съответствие можете да намерите на страницата Petzl.com.

- Към точката на закрепване може да бъде закачана само една система ЛПС срещу падане или позиционираща система.

- Когато осигурително устройство се използва като част от система срещу падане, ползвателят трябва да е снабден със средство, което да намали върховото динамично натоварване върху тялото до стойност не по-голяма от 6 kN.

- Максималното натоварване, което може да бъде упражнено от стоманеното въже върху конструктивния елемент, е от порядъка на 23 kN при директно закачане и 35 kN в случай с обгръщане на конструкцията.

- Възможно е известно удължаване до 20 mm на закрепването под натоварване.

- Внимавайте за корозивна среда, която може да увреди продукта.

- Предвидете необходимите спасителни средства за незабавно оказване на помощ в случай на проблем.

- Препоръчително е анкерната точка или конструктивният елемент да се намират над ползвателя и да отговаря на изискванията на стандарт EN 795 (минимална якост 12 kN).

Преди всяко инсталиране на една система с елементи срещу падане от височина трябва да се провери свободното пространство под ползвателя, за да не се удари в земята или в някое препятствие в случай на евентуално падане.

- Внимавайте точката за закрепване да бъде правилно позиционирана, за да се намали риска от падане, както и височината на падането. Внимавайте да стоите под нивото на точката на закрепване, за да намалите риска от повреждане на продукта в случай на падане.

- Предпазният колан за цялото тяло е единственото средство, което трябва да се използва за обезопасяване на тялото в една система, спираща падане от височина.

- При употреба на няколко предпазни средства може да възникне рискова ситуация, ако правилното функциониране на дадено средство попречи на правилното функциониране на друго.

- ВНИМАНИЕ - ОПАСНО: следете средствата да не се трият в абразивни материали или остри елементи, както и да не са в контакт с огън или в среда с висока температура, където могат да се стопят, изгорят или счупят.

- При извършване на работа на височина е необходимо работещите да са в добро здравословно състояние. ВНИМАНИЕ: неподвижно висящо положение в предпазния колан може да доведе до тежки физиологични нарушения или фатален изход.

- Спазвайте описаните в листовките инструкции за употреба, които са прикачени към всеки един продукт.

- Инструкциите за употреба трябва да бъдат предоставени на потребителите преди на езика на страната, в която се използва средството.

- Проверете дали маркировката върху продукта е четлива.

#### Характерни изисквания на ANSI/ASSE Z359.18

- WIRE STROP е преминал изпитания съгласно изискванията на стандарт ANSI/ASSE Z359.18. Внимание: обхватът на този стандарт не включва конструкции или опорни елементи, към които се закача средството. В този смисъл конструкцията или анкерната точка трябва да са с якост 5000 паунда (22,2 kN), но по-малка якост може да бъде допустима в зависимост от законодателството, приложимо във вашия случай. В този случай, анкерната точка трябва да бъде проверена от компетентно лице. Ако е изтекъл срокът за проверка или поддръжка на средството, поставете маркировка, указваща да не се използва средството, докато не бъде инспектирано.

**Бракуване на продукта:**

ВНИМАНИЕ: някое извънредно събитие може да доведе до бракуване на даден продукт само след еднократно използване (в зависимост от вида и интензивността на употреба, средата, в която се ползва: агресивна среда, морска среда, остри ръбове, екстремни температури, химически вещества...). Един продукт трябва да се бракува, когато:

- Той е на повече от 10 години и е съставен от пластмасови или текстилни материали.

- Е извършен значителен удар или натоварване.

- Резултатът от проверката на продукта е незадоволителен. Съмнявате се в неговата надеждност.

- Нямате информация как е бил използван преди това.

- Той е морално остарял (поради промяна в законодателството, стандартите, методите на използване, несъвместимост с останалите средства...).

Унищожете тези продукти, за да не се употребяват повече.

#### Пиктограми:

**A. Неограничен срок на годност** - **B. Маркировка** - **C. Разрешена температура** - **D. Предупреждения при употреба** - **E. Почистяване** - **F. Сушене** - **G. Съхранение/транспорт** - **H. Поддръжка** - **I. Модификации/ремонти** (забранени са извън сервизите на Petzl, изключение само за резервни части) - **J. Въпроси/контакт**

### Гаранционен срок 3 години

Отнася се до всякакви дефекти в материалите или при производството. Гаранцията не важи при: нормално износване, окислация, модификации или ремонти, лошо съхранение, лошо поддържане, употреба на продукта не по предназначение.

### Предупредителни знаци

1. Ситуация с неизбежен риск от тежко нараняване или фатален изход.
2. Ситуация с опасност от възможен инцидент или нараняване.
3. Важна информация относно начина на функциониране или спецификацията на продукта.
4. Несъвместимост на средствата.

### Контрол и маркировка

a. Отговаря на изискванията на регламента за ЛПС. Нотифициран орган за ЕС изследване на типа - b. Номер на нотифициран орган, контролиращ производството на това ЛПС - c. Контрол: основни данни - d. Позициониране спрямо закрепването; стойте под нивото на точката на закрепване, за да намалите височината на падане и риска от падане с малко - e. Индивидуален номер - f. Година на производство - g. Месец на производство - h. Номер на партида - i. Индивидуална идентификация - j. Стандарти - k. Прочетете внимателно листовката с указания - l. Идентификация на модела - m. Продуктът да се използва само от едно лице (EN 795) или от две лица (TS 16415) - n. Адрес на производителите - o. Орган за сертифициция по NFPA - p. Якост в зависимост от начина на поставяне към конструкция - q. Дължина

คู่มือการใช้งานนี้ อธิบายให้ทราบถึงวิธีการใช้งานอย่างถูกต้อง เฉพาะข้อมูลทางเทคนิค และการใช้งานบางขงเท่านั้นที่ได้อธิบายไว้ เครื่องหมายคำเตือน ไคบอกใหญ่ ทราบถึงอันตรายบางส่วนที่อาจเกิดขึ้นจากการใช้งานของอุปกรณ์ แต่ไม่อาจบอกได้ทั้งหมด ควรเช็คที่ Petz.com เพื่อหาข้อมูลเพิ่มเติมล่าสุด

เป็นความรับผิดชอบของคุณ ในการระมัดระวังตัวคำเตือนและการใช้อุปกรณ์อย่างถูกต้อง ขอคิดลาดในการใช้อุปกรณ์จะทำให้เกิดอันตราย คิดขอ Petz หรือตัวแทนจำหน่ายที่ซบสเสีย หรือ ไม่เข้าใจขอความในคู่มือนี้

**1. ส่วนที่เกี่ยวข้องกัน**

- อุปกรณ์ป้องกันส่วนบุคคล (PPE) ใช้สำหรับป้องกันการตก สาหรืเพื่อทำจุดผูกยึด
- Type B อุปกรณ์สำหรับทำจุดผูกยึดชั่วคราว (EN 795:2012 type B) สำหรับผู้ใช้งานหนึ่งคนเท่านั้น
- อุปกรณ์จุดผูกยึดผลิตตามข้อกำหนดของ CEN/TS 16415 สำหรับผู้ใช้งานสองคน (เชือกสั้น EN 354:2010)
- ห้ามใช้อุปกรณ์นี้ในวิธีการเพื่อติดตั้ง
- อุปกรณ์นี้จะต้องไม่ใช้รับน้ำหนักเกินกว่าที่ระบุไว้หรือไม่นำไปใช้ในวัตถุประสงค์อย่างอื่นนอกเหนือจากที่ได้ถูกออกแบบมา

**ความปลอดภัย**

**คำเตือน**  
กิจกรรมที่เกี่ยวข้องกับการใช้อุปกรณ์นี้ เป็นสิ่งที่เป็อันตราย เป็นความรับผิดชอบของผู้ใช้งานต่อการกระทำ การตัดสินใจและความปลอดภัย

- ก่อนการใช้งาน จะต้อง
- อ่านและทำความเข้าใจคู่มือการใช้งาน
- การฝึกฝนโดยเฉพาะเพื่อการใช้งานที่ถูกต้อง
- ทำความคุ้นเคยกับความสามารถและข้อจำกัดในการใช้งานของมัน
- เข้าใจและยอมรับความเสี่ยงที่เกี่ยวข้อง

**การขาดความระมัดระวังและละเลยต่อข้อมูลนี้ อาจมีผลให้เกิดการบาดเจ็บสาหัสหรืออาจถึงแก่ชีวิต**

อุปกรณ์นี้จะต้องถูกใช้งาน โดยผู้ที่มีความสามารถเพียงพอและมีวามรับผิดชอบหรือใช้ในสถานที่ที่อยู่ในความรับผิดชอบโดยตรงหรือควบคุมได้โดยผู้เชี่ยวชาญ เป็นความรับผิดชอบของผู้ใช้งานต่อวิธีการใช้ การตัดสินใจความปลอดภัย และยอมรับในผลที่เกิดขึ้นจากวิธีการนั้น ในกรณีใช้อุปกรณ์นี้จากคุณไม่สมบูรณ์หรือไม่อยู่ในสภาวะที่จะรับผิดชอบต่อความเสี่ยงที่จะเกิดขึ้นหรือไม่เข้าใจขอความในคู่มือการใช้งาน

**2. ชื่อของส่วนประกอบ**

- (1) สายเคเบิล (2) เปลือกนอก (3) ช่องเชื่อมต่อควาราไบเนอร์ (4) แผ่นหนุน (5) ปลอกป้องกัน (6) ห่วงผูกยึด (7) ปลอกป้องกันพร้อมสกรูยึดติดภายใน

**3. การตรวจสอบ จุดตรวจสอบ**

ความปลอดภัยของคุณขึ้นอยู่กับความสมบูรณ์ของอุปกรณ์ของคุณ Petz แนะนำให้ตรวจสอบรายละเอียดของอุปกรณ์โดยผู้เชี่ยวชาญ อย่างน้อยทุก 12 เดือน (ขึ้นอยู่กับข้อกำหนดของประเภทและสภาพการใช้งาน) และภายหลังจากกิจกรรมที่มีความหนักมากกว่าปกติ ดังเช่น ใช้ขึงยั้งการตก หรืออุปกรณ์เกิดการตก คำเตือน การใช้งานอย่างเข้มข้น อาจเป็นสาเหตุที่ทำให้คุณต้องทำการตรวจสอบอุปกรณ์ PPE ความถี่มากขึ้น ทำตามขั้นตอนที่แสดงไว้ที่ Petz.com บันทึกผลการตรวจสอบเช็ค PPE ลงในแบบฟอร์มการตรวจเช็ค ชนิด รุ่น ข้อมูลของโรงงานผู้ผลิต หมายเลขลำดับการผลิต หรือหมายเลขกำกับอุปกรณ์ วันที่ของการผลิต วันที่สั่งซื้อ วันที่ใช้งานครั้งมรแรก กำหนดการตรวจเช็คครั้งต่อไป ปัญหาที่พบ ความผิดปกติ ชื่อของผู้ตรวจเช็คพร้อมลายเซ็น และนำใบเขียนวันที่ตรวจเช็คครั้งต่อไปไว้บนอุปกรณ์

**ก่อนการใช้งานแต่ละครั้ง**

ตรวจสอบสภาพของเปลือกนอกและสายเคเบิล (มีดมีเขี้ยวเสีรูปทรง รอยแตก รอยตำหนิ รอยเสียดกร่อน การกัดกร่อนของสัณฐาน) ถ้าสภาพของเปลือกนอกทำให้ไม่สามารถตรวจสอบสภาพของสายเคเบิลได้ ให้เลิกใช้งานอุปกรณ์นี้ ตรวจเช็คสภาพของแผ่นหนุนและปลอกป้องกันและเช็ควารวาไบเนอร์คืออยู่ในตำแหน่งที่ถูกต้องแล้ว

**ระหว่างการใช้งาน**

เป็นเรื่องสำคัญอย่างยิ่งที่ต้องตรวจสอบสภาพของอุปกรณ์อยู่เป็นประจำ และการถอดเชื่อมอุปกรณ์เข้ากับอุปกรณ์ตัวอื่นในระบบ แนะนำให้ผูกชิ้นส่วนของอุปกรณ์อยู่ในตำแหน่งที่ถูกต้องกับชิ้นส่วนอื่น

**4. ความเข้ากันได้**

ตรวจเช็ว่าอุปกรณ์นี้ สามารถใช้งานเข้ากันได้กับอุปกรณ์อื่นในระบบที่เกี่ยวข้องกัน (เข้ากันได้คือ = ใช้งานด้วยกันได้โดยไม่ติดขัด) อุปกรณ์ที่นำมาใช้ร่วมกับจุดผูกยึด จะต้องสอดคล้องกับข้อกำหนดมาตรฐานที่ใช้ในแต่ละประเทศ (เช่น EN 362 คำลือเชื่อมต่อ)

**5. การติดตั้งและความแข็งแรง**

WIRE STROP อาจใช้แบบเส้นเดี่ยว (ความแข็งแรง 23 kN) หรือใช้สองครั้งโครงสร้าง (ความแข็งแรง 23 kN) หรือใช้พร้อมโครงสร้าง (ความแข็งแรง 35 kN โดยที่มุมไม่เกิน 90° ระหว่างทั้งสองจุดนปลายของสายรัด) ค่าของความแข็งแรงได้ถูกวัดจากโครงสร้างเช่นเดียวกับที่ไร้ระหว่างการทดสอบ ความแข็งแรงทนทานของจุดผูกยึดจะไม่มากเกินกว่าความแข็งแรงของการผูกพันกับโครงสร้าง

การสอดคล้องตามขอโครงสร้าง เมื่อสตรีคโครงสร้าง ให้ปรับสายรัดให้เท่ากับเพื่อไม่มีความแข็งแรงที่ดีที่สุด ไร้สายรัดให้มีความยาวเหมาะสมกับการใช้งาน โดยเลือกชิ้นที่สามารถถักมมมากที่สุดไม่เกิน 90° เมื่อมีการพร้อมโครงสร้าง หากมุมนั้นมีควมยาวมากกว่า ให้ใช้สายรัดที่มีความยาวมากขึ้น

ระมัดระวังโครงสร้างที่มีพื้นผิวหรือขอบมุมที่แหลมคมสามารถทำให้ความเสียหายให้แก่สายรัดได้

ห้ามถอดสกรูยึดที่ถอดออกจากปลอกหุ้ม จะเกิดความเสียหายหากไม่คาดคิดซึ่งทำให้จุดเชื่อมต่อไม่มีความแข็งแรง

**6. EN 354 เชือกสั้น**

WIRE STROP มีความยาว 50, 100 และ 150 cm เท่านั้น เชือกสั้นสายเคเบิลไม่สามารถดัดขึ้นแรงได้เมื่อมีการกดกระชาก ให้เชือกสั้นตั้งระหว่างผู้ใช้งานและจุดผูกยึดตลอดเวลาที่หลีกเลี่ยงความเสี่ยงในการกดกระชาก เชือกสั้นจะไม่สามารถใช้ในระบบขึงยั้งการตก ได้ ถ้าหากไม่มีการเชื่อมต่อกับกับตัวดูดซับแรง (เช่น ABSORBICA) ความยาวรวมของเชือกสั้นเมื่อเชื่อมต่อกับกับตัวดูดซับแรงจะต้องไม่เกิน 2 เมตร (รวมถึงส่วนปลายกับควาราไบเนอร์)

ก่อนเริ่มตนใช้งาน ถ้าคุณคิดว่าเชือกสั้นมีความเสี่ยงที่จะเสียหายกับขอบมีคม ต้องมันใจ

ว่าได้ทำการป้องกันไว้อย่างเพียงพอแล้ว หลีกเลี่ยงบริเวณที่มีความเสี่ยงต่อการตก เชือกสั้นนี้ ไม่ได้ออกออกแบบมาเพื่อใช้ผูกมัดแบบไซเคิลหรือ เชือกสั้นสองส่วนที่มีตัวดูดซับแรงประกอบติด ไม่ควรรีใช้ตามคู่มือ

**7. ข้อมูลเพิ่มเติม**

อุปกรณ์นี้ ได้ผลิตตามข้อกำหนดของข้อบังคับ (EU) 2016/425 ในเรื่อง อุปกรณ์ป้องกันภัยส่วนบุคคล EU รายละเอียดข้อรับรองมาตรฐาน สามารถหาได้ที่ Petz.com

- เฉพาะระบบขึงยั้งการตก หรือระบบที่กำหนดตำแหน่งการทำงานเพียงหนึ่งอย่างเท่านั้น ที่ติดขัดกับจุดผูกยึด
- เมื่อใช้อุปกรณ์ทำจุดผูกยึดเป็นส่วนประกอบในระบบขึงยั้งการตก ผู้ใช้งานจะต้องคำนึงถึงข้อจำกัดของแรงกดกระชาก ซึ่งจะส่งผลต่อผู้ใช้งานเมื่อเกิดภาวะขึงยั้งการตกโดยมีค่าของความทนทานสูงสุดที่ 6 kN
- ค่าสูงสุดของแรงกดกระชากนั้นสามารถส่งผ่านไปที่โครงสร้างโดยจุดผูกยึดสายรัดควา 23 kN ในรูปแบบการรครอบโครงสร้าง และ 35 kN เมื่อพื้นสายรครอบโครงสร้าง
- จุดผูกยึดอาจมีการเลื่อนไหล 20 มม.ภายใต้แรงง้าง
- ระมัดระวังจากสภาพแวดล้อมที่เกิดกร่อน ซึ่งอาจลดประสิทธิภาพของอุปกรณ์
- คุณจะต้องมีแผนการกู้ภัยและวิธีการทำโดยอย่างรวดเร็วในกรณีที่มีความเสี่ยงสูงจากขึ้นในขณะที่ใช้อุปกรณ์นี้
- จุดผูกยึดในระบบ จะต้องอยู่เหนือตำแหน่งของผู้ใช้งาน และทำตามข้อกำหนดของมาตรฐาน EN 795 (ความแข็งแรงของโมนอยกัว 12 kN)
- ในระบบขึงยั้งการตกเป็นสิ่งสำคัญที่สุดที่จะต้องตรวจสอบเชือกสั้นที่วางด้านใดของผู้ใช้งานก่อนการใช้งานทุกครั้ง เพื่อหลีกเลี่ยงการหล่นไปกระทบกับพื้นหรือสิ่งกีดขวางในกรณีที่มีการกดเกิดขึ้น
- ต้องแน่ใจว่า จุดผูกยึดอยู่ในตำแหน่งที่ถูกต้องเพื่อลดความเสี่ยง และระยะทางของการตก แนะนำว่าโดยอยู่ในตำแหน่งต่ำกว่าจุดผูกยึด เพื่อลดความเสี่ยงจากความเสียหายของอุปกรณ์ในกรณีของการตก
- สายรัดนิรภัยเป็นเพียงอุปกรณ์ชนิดเดียวที่ช่วยพวงร่างงาย ในระบบขึงยั้งการตกเท่านั้น
- เมื่อใช้อุปกรณ์หลายชิ้นร่วมกันอาจเกิดผลร้ายต่อความปลอดภัยกับในกรณีใช้อุปกรณ์ชนิดหนึ่งจุดกดประสิทธิภาพลดลงส่วนประกอบเพื่อความปลอดภัยของอุปกรณ์ชนิดอื่น
- คำเตือน อันตราย ต้องแน่ใจว่าอุปกรณ์ไม่ถูกสัมผัสกับสิ่งของมีคม หรือวัตถุที่สามารถกัดกร่อนได้ และไม่ได้สัมผัสกับเปลวไฟ หรือความร้อนสูงที่อาจหลอมละลายเหลว ไขมัน หรือทำลายอุปกรณ์
- ผู้ใช้งานต้องมีสภาพร่างกายแข็งแรง เหมาะกับกิจกรรมในที่สูง คำเตือน การห้อยตัวอยู่ในสายรัดสะโพกเป็นเวลานานอาจมีผลทำให้เกิดการบาดเจ็บสาหัส หรืออาจถึงแก่ชีวิต
- คู่มือการใช้งานของอุปกรณ์แต่ละชนิดที่ใช้เชื่อมต่อกับอุปกรณ์นี้ต้องปฏิบัติตามอย่างเคร่งครัด
- คู่มือการใช้งานต้องจัดหาให้กับผู้ใช้งานอุปกรณ์นี้ ในภาษาท้องถิ่นของประเทศที่อุปกรณ์นี้ถูกนำไปใช้งาน
- แนะนำว่าป้ายเครื่องหมายที่ติดบนอุปกรณ์สามารถอ่านได้ชัดเจน

**ข้อมูลเฉพาะของ ANSI / ASSE Z359.18**

- WIRE STROP ได้ผ่านการทดสอบตามข้อกำหนดของมาตรฐาน ANSI/ASSE Z359.18 คำเตือน การทดสอบตามมาตรฐานนี้ ไม่รวมถึงการทำจุดผูกยึดบน โครงสร้างหรือ การทำจุดผูกยึดโดยการติดยึดอุปกรณ์นี้ ตามข้อความนี้ จุดผูกยึดบนโครงสร้างหรือจุดผูกยึดต้องมีความแข็งแรง 5000 ปอนด์ (22.2 kN) และความแข็งแรงที่น้อยกว่านี้ อาจยอมรับได้ ขึ้นอยู่กับข้อกำหนดที่บังคับตามสถานการณ์การใช้งาน ในกรณีนี้ จุดผูกยึดต้องผ่านการทดสอบโดยผู้เชี่ยวชาญก่อนการใช้งาน

ถ้าวันที่ของการตรวจเช็คอุปกรณ์แล้วลงไปแล้ว ให้คิดปัยบอกไว้ว่าห้ามใช้อุปกรณ์จนกว่าจะได้มีการตรวจเช็คอุปกรณ์

**ควรยกเลิกการใช้อุปกรณ์เมื่อไร**

- ควรระวัง ในกิจกรรมที่มีการใช้อ่างรุนแรงอาจทำให้อุปกรณ์ต้องถูกเลิกใช้หลังจากการใช้งานเพียงครั้งเดียวทั้งนี้ ขึ้นอยู่กับชนิดของการใช้งานและสภาพแวดล้อมของการใช้ (สภาพที่แจ้งหายบา สถานที่ไกลทะเล ขอบมุมที่แหลมคม สภาพอากาศที่รุนแรง สารเคมี...)
- อุปกรณ์จะคงเลิกใช้ เมื่อ
- มีอายุเกินกว่า 10 ปี สำหรับผลิตภัณฑ์พลาสติก หรือสังกะ
- ได้เคยมีการกดกระชากอย่างรุนแรง หรือ เกิดขีงจำกัด
- เมื่อไม่ผ่านการตรวจเช็คสภาพ เมื่อมีข้อสงสัยหรือไม่แน่ใจ
- เมื่อไม่ทราบถึงประวัติการใช้งานมาก่อน
- เมื่อคุณ รู้สึกไม่สบายจากการเปลี่ยนกฎเกณฑ์มาตรฐานเทคนิค หรือ ความเข้ากันไม่ได้กับอุปกรณ์อื่น

ถ้าหาอุปกรณ์เพื่อป้องกันการนำกลับมาใช้อีก

**สัญลักษณ์**

- A. ไม่จำกัดอายุการใช้งาน - B. เครื่องหมาย - C. สภาพภูมิอากาศ ที่สามารถใช้งานได้
- D. ข้อควรระวังการใช้งาน - E. การทำความสะอาด - F. ที่ให้แห้ง - G. การเก็บรักษา/การขนส่ง - H. การบำรุงรักษา - I. การตัดแปลงเพิ่มเติม/การซ่อมแซม (ไม่อนุญาตให้ทำภายนอกโรงงานของ Petz ยกเว้นที่สามารถใช้ทดแทนได้) - J. คำถาม/ติดต่อ

**อุปกรณ์มีการรับประกันเป็นเวลา 3 ปี**

เกี่ยวกับวัสดุหรือความบกพร่องจากการผลิต ข้อยกเว้นจากการรับประกัน การชำรุดบกพร่องจากการใช้งานตามปกติ ปฏิกริยาจากสารเคมี การแก้ไขตัดแปลง การเก็บรักษาไม่ถูกวิธี ขาดการดูแล การนำไปใช้งานที่นอกเหนือจากที่อุปกรณ์ได้ถูกออกแบบไว้

**เครื่องหมายคำเตือน**

- 1. สถานการณ์เสี่ยงที่จะจะเกิดขึ้นรายบุคคลเจ็บสาหัส หรือ เสียชีวิต 2. แสดงให้เห็นถึงความเสี่ยงต่อการเกิดอุบัติเหตุ หรือ การบาดเจ็บ 3. ข้อมูลสำคัญที่เกี่ยวข้องประสิทธิภาพในการใช้งาน หรือคุณสมบัติของอุปกรณ์ 4. ความเข้ากันไม่ได้ของอุปกรณ์

**เครื่องหมายและข้อมูล**

- a. มีคุณสมบัติตามข้อกำหนดของอุปกรณ์ PPE โดยเฉพาะที่บอกถึงการทดสอบตามมาตรฐาน EU - b. หมายเลขรับรองที่ผ่านการทดสอบที่ใช้ในการควบคุมการผลิตของ PPE นี้ - c. การมีมาตรฐาน ข้อมูลเหล่านี้คือ - d. การชี้แจงตำแหน่งที่เกี่ยวข้องกับจุดผูกยึดให้สอดคล้องกับจุดผูกยึดเพื่อลดความเสี่ยงของระยะการตกและการถูกเหวี่ยงไปมา - e. หมายเลขลำดับอุปกรณ์ - f. ปีที่ผลิต - g. เดือนที่ผลิต - h. หมายเลขลำดับการผลิต - i. หมายเลขกำกับตัวอุปกรณ์ - j. มาตรฐาน - k. อันคู่มือการใช้โดยละเอียด - l. รูปแบบลักษณะเฉพาะ - m. สำหรับการใช้งานเพียงคนเดียว (EN 795) หรือสำหรับการใช้งานสองคน (TS 16415) - n. ที่อยู่ของโรงงานผู้ผลิต - o. ใ้ความสำคัญของการรับรองตาม NFPA - p. ความแข็งแรงเชิงข้อมูลกับการใช้งานโครงสร้าง - q. ความยาว