

MSA Latchways Mini Personal Fall Limiter

Impressive Innovation in a Compact Size



MSA Latchways Mini PFL

Suitable for multiple applications, the 6 ft (1.8 m) Mini PFL is designed specifically for environments where close anchorage is available.

Compact and Versatile

The MSA Latchways Mini PFL is the most compact & lightweight self-retracting lanyard ever developed using multiple spring radial energy-absorbing technology. This new design eliminates the need for an external energy-absorber outside of the housing making it *the smallest* self-retracting lanyard on the market.

Reliable and Reassuring

Latchways' Lifecycle Warranty means users can work at height with confidence that the Mini PFL will continue to provide safety when it matters most. The product offers fall arrest and restraint for users 130 to 400 lbs (60 to 181 kg) including tools.

Strong and Tested

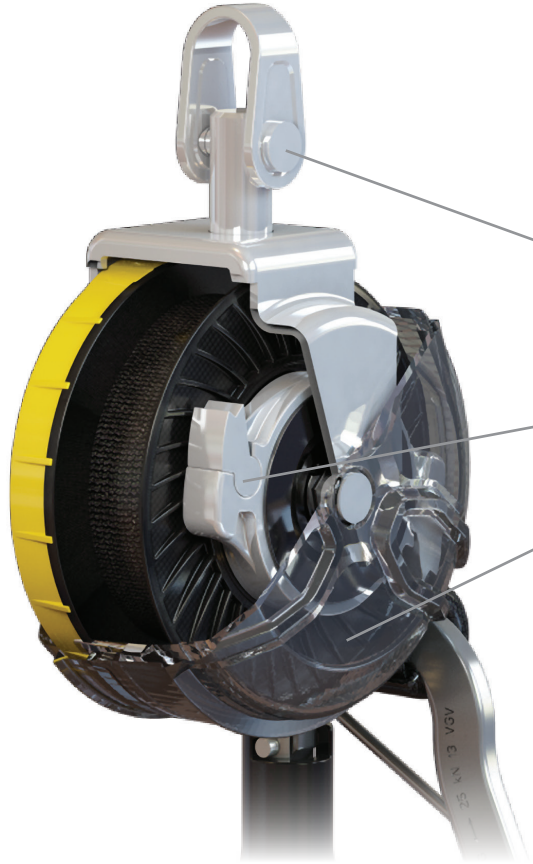
The MSA Latchways Mini PFL has a highly durable polycarbonate, clear casing which allows for easy visual inspection of the critical internal components. It can withstand temperatures ranging from -40° to +130°F (-40° to +54°C) and its high-performing, high-strength webbing lifeline has been manufactured to the highest standard in accordance to Latchways' strict quality-control procedures. The MSA Latchways Mini PFL has been tested to meet these relevant standards:

- ANSI Z359.14 – 2012
- OSHA 1910.66
- OSHA 1926.502
- CSA Z259.2.2-98
- EN360: 2002



Because every life has a purpose...

MSA Latchways Single-Leg Mini PFL



The world's first self-retracting lifeline with multiple spring radial energy-absorbing technology

- Integral energy absorber
- Requires zero recalibration or adjustment
- The energy absorber is completely sealed from external contaminants

Free range of motion

A fully rotating attachment point for complete flexibility—both 360° and 180°

Precision engineering

A structurally reinforced pawl mechanism

Highly durable

A polycarbonate case houses the SRL, and its transparency allows for easy visual inspection of critical internal components

Superior materials

Components manufactured from high-grade stainless steel and engineered plastics

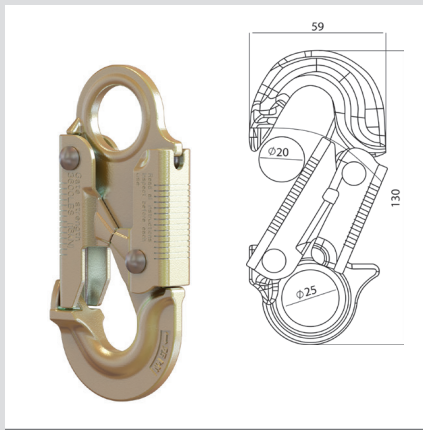


MSA Latchways Twin-Leg Mini PFL



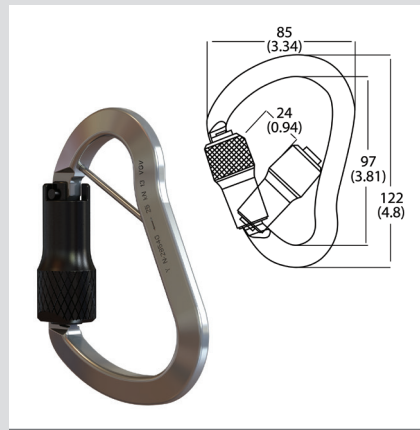
Available Connectors

The MSA Latchways Mini PFL is supplied with a choice of steel or aluminium top karabiner and has a range of connectors available.



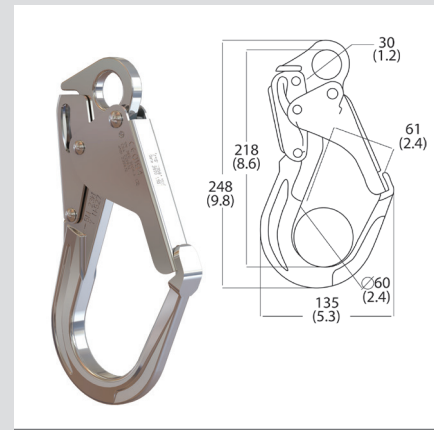
Forged Steel Snaphook (36C)

- Double-action/self-locking gate
- High-tensile steel material
- Zinc-plated finish
- EN, ANSI and CSA compliant



Karabiner/Hook

- Triple-locking gate
- Aluminium alloy
- EN, ANSI and CSA compliant



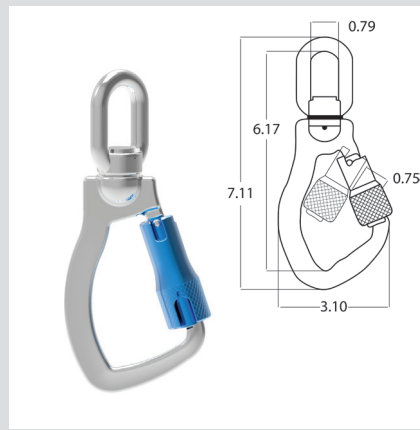
Aluminium Scaffold Hook (AL36CL)

- Aluminium alloy
- EN, ANSI and CSA compliant



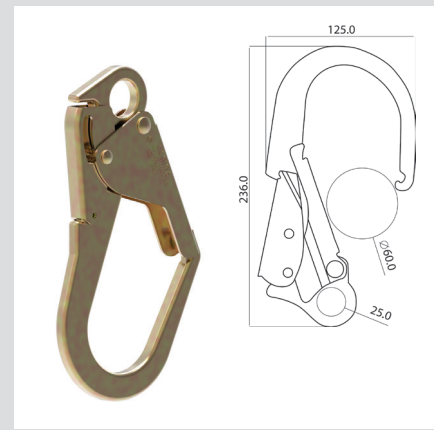
Forged Steel Swivel Snaphook (36CS)

- Double-action/self-locking gate
- High-tensile steel material
- Zinc-plated finish
- ANSI, CSA & EN compliant



Swivel Karabiner/Hook

- Triple-locking gate
- Aluminium alloy
- ANSI, CSA & EN compliant



Steel Scaffold Hook (36CL)

- High-tensile steel material
- Zinc-plated finish
- ANSI, CSA & EN compliant

Ordering Information

Part Number	Type		Line Length	Anchorage Connection	Harness Connection
	Single-Leg	Twin-Leg			
63011-00AEU	■		6 ft (1.8m)	AL36CL	Steel Karabiner
63011-00BEU	■		6 ft (1.8m)	36C	Steel Karabiner
63011-00CEU	■		6 ft (1.8m)	Aluminium Triple-lock Swivel Karabiner	Steel Karabiner
63011-00DEU	■		6 ft (1.8m)	Aluminium Triple-lock Karabiner	Steel Karabiner
63011-00EEU	■		6 ft (1.8m)	36CS	Steel Karabiner
63011-00FEU	■		6 ft (1.8m)	36CS	Steel Karabiner
63011-00GEU	■		6 ft (1.8m)	AL36CL	—
63011-00HEU	■		6 ft (1.8m)	36C	—
63011-00IEU	■		6 ft (1.8m)	Aluminium Triple-lock Swivel Karabiner	—
63011-00JEU	■		6 ft (1.8m)	Aluminium Triple-lock Karabiner	—
63011-00KEU	■		6 ft (1.8m)	36CS	—
63011-00LEU	■		6 ft (1.8m)	36CL	—
63011-00MEU	■		6 ft (1.8m)	AL36CL	Aluminium Triple-lock Karabiner
63011-00NEU	■		6 ft (1.8m)	Aluminium Triple-lock Karabiner	Aluminium Triple-lock Karabiner
63011-00OEU	■		6 ft (1.8m)	36C	36CL
63011-00PEU	■		6 ft (1.8m)	Aluminium Triple-lock Karabiner	AL36CL
63111-00AEU		■	6 ft (1.8m)	AL36CL (2)	Twin-Link Connector
63111-00BEU		■	6 ft (1.8m)	36C (2)	Twin-Link Connector
63111-00CEU		■	6 ft (1.8m)	Aluminium Triple-lock Swivel Karabiner (2)	Twin-Link Connector
63111-00DEU		■	6 ft (1.8m)	Aluminium Triple-lock Karabiner (2)	Twin-Link Connector
63111-00EEU		■	6 ft (1.8m)	36CS (2)	Twin-Link Connector
63111-00FEU		■	6 ft (1.8m)	36CL (2)	Twin-Link Connector



MSA LATCHWAYS MINI TWIN-LINK	
Part Number	Description
63900-04	Twin-Link Connector for Mini PFL



Note: This Bulletin contains only a general description of the products shown. While uses and performance capabilities are described, under no circumstances shall the products be used by untrained or unqualified individuals and not until the product instructions including any warnings or cautions provided have been thoroughly read and understood. Only they contain the complete and detailed information concerning proper use and care of these products.



ID 4600-008-MC / February 2016

MSA – The Safety Company

11 Columbia Way
Norwest Business Park
Baulkham Hills NSW 2153
Phone 61 2 9688 0333
Customer Service
Phone 1300 728 072
Email aus.customerservice@MSAsafety.com
www.MSAsafety.com

MSA New Zealand

Customer Service
Phone 0800 441 335
Email nz.customerservice@MSAsafety.com
www.MSAsafety.com

MSA Singapore

51 Ayer Rajah Crescent #04-01/09
Singapore 139948
Tel: +65 6776 1633
Fax: +65 6778 2529
Email: msa.singapore@MSAsafety.com
www.MSAsafety.com

MSA Malaysia

No.5, Jalan P4/8A, Crest Hill Industrial Park
Bandar Teknologi Kajang, Semenyih
43500 Selangor
Malaysia
Tel: +603 8724 8208/9208
Fax: +603 8724 2208
www.MSAsafety.com

MSA Indonesia

Kompleks Multiguna Kemayoran No 1-K
Jl. Rajawali Selatan Raya Block C5 No. 2
Jakarta Utara 14410
Indonesia
Tel: +62 21 6409000
Fax: +62 21 6412831
Email: msa.indonesia@MSAsafety.com
www.MSAsafety.com

MSA Philippines

Unit 2309 Jollibee Plaza
Condominium Building
F. Ortigas Jr. Road, Ortigas Center
Pasig City
Philippines
www.MSAsafety.com

MSA (Thailand) Ltd.

28th Floor Suntower Bldg. B, No. 2801
123 Vibhavadi-Rangsit Rd., Chompon
Chatuchak, Bangkok 10900
Thailand
Tel: +66 2617 8211
Fax: +66 2617 8214
Email: msa.thailand@MSAsafety.com
www.MSAsafety.com