



RP704 Single Progress Capture Pulley (One way Bearings)

Data Sheet



To assist in controlling the lower/release, the one-way bearings (when roped correctly) will not turn, which means that they then act as a static bollard thereby giving the operator greater control.

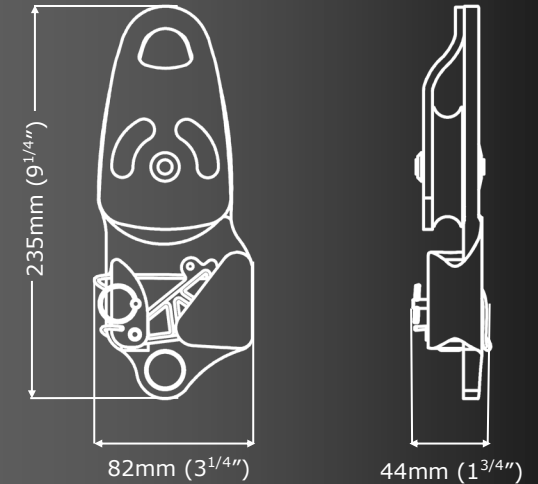
climb. work. rescue.

I|S|C

SOLUTIONS IN METAL

Progress-Capture Pulleys incorporate a cam which (when roped correctly) automatically captures the load whilst lifting/pulling a load or tensioning a line. To lower/release the line the cam must be manually clamped by using the flexible Dyneema release cord and pinned clear of the rope during the lower/release of the line.

(PPE Directive 89/686/EC)



Weight	672g (25oz)
Body Material	Aluminium
Finish	Anodised
WLL	600kg (1323lbs)
Rope Size	10-13mm (3/8"-1/2")
MBS	30kN (6744lbf)
Standards	EN567:97, NFPA 1983