



RPO66 Large Stainless Steel Single Prussik

Data Sheet



Bushings
Ideal for high loads
at low speed



Roller Bearings
Ideal for low loads
at high speed

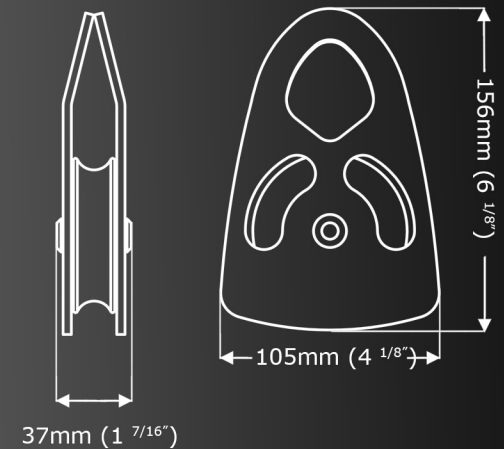
climb. work. rescue.

I|S|C

SOLUTIONS IN METAL

All Pulleys in our latest Heavy-duty Prussik range have tamper-proof Rivets, in compliance with CE EN12278 (2007) & NFPA (1983).

These Pulleys are available in Aluminium or Stainless Steel, with Bushings or Roller Bearings. Bushings are ideal for high loads at low speeds and Roller Bearings are ideal for low loads at high speeds.



Weight	896g (32oz)
Body Material	Stainless Steel
Wheel Material	Stainless Steel
Finish	Polished
Rope Size	16mm (5/8")
MBS	50kN (11240lbf)