



UB171 15m (50ft) Merlin Fall Arrest Block

Data Sheet



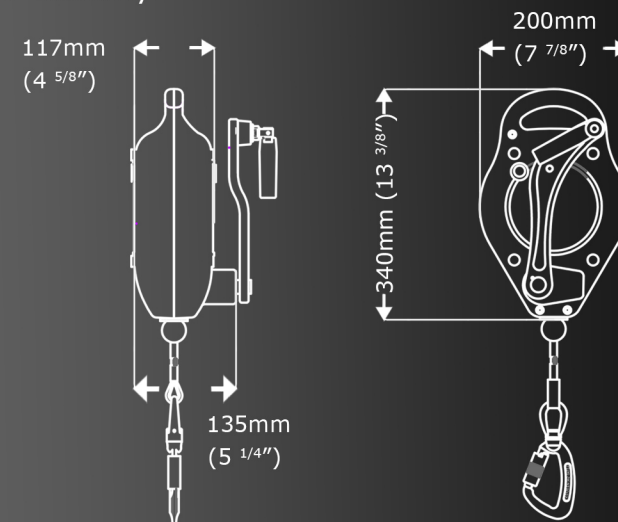
climb. work. rescue.

ISC

SOLUTIONS IN METAL

All ISC Blocks have solid Aluminium Housings, proven to last all sorts of environments, from rental to off-shore. The internal mechanisms are simple, making them easily serviceable.

The UB171 Fall Arrest Block is fitted with a Twistlock Fall-indicating, Swivel Eye Karabiner as standard. The UB171 Block is fitted with an Emergency Recovery, for the safe retrieval of a casualty.



Average weight	9kg (20lb)
WLL	136kg (300lb)
Arrest Distance	1372 (54")
Line Type	Wire (Retrieval)
Standards	ANSI Z359:1:2007 EN360:2002