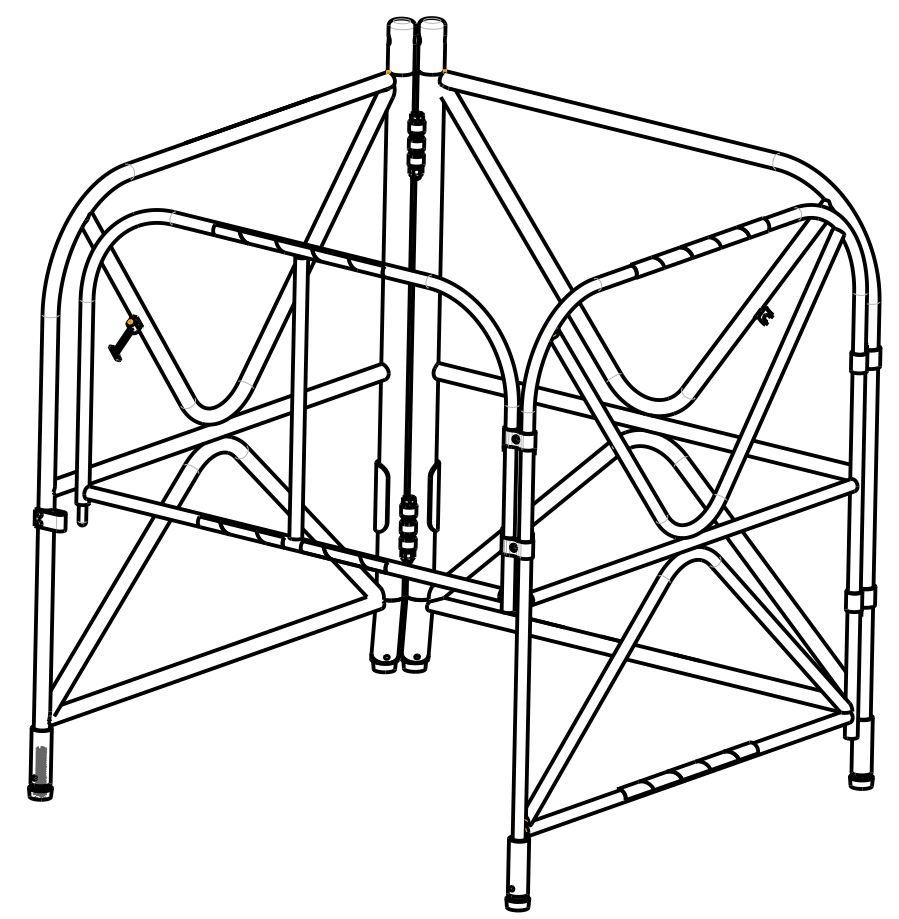
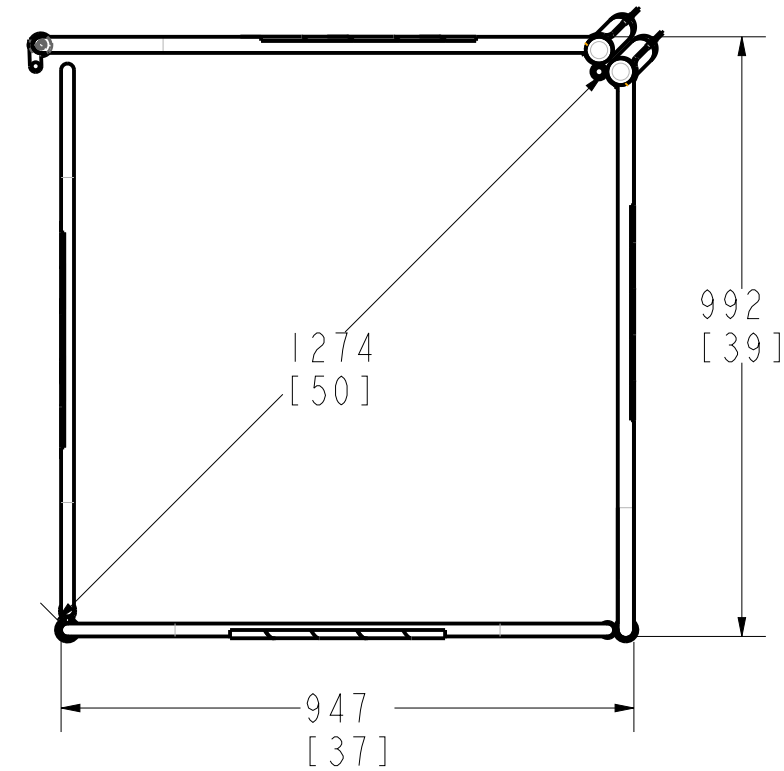
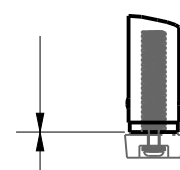


Product number: IN-2108



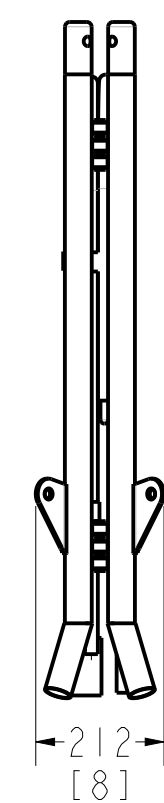
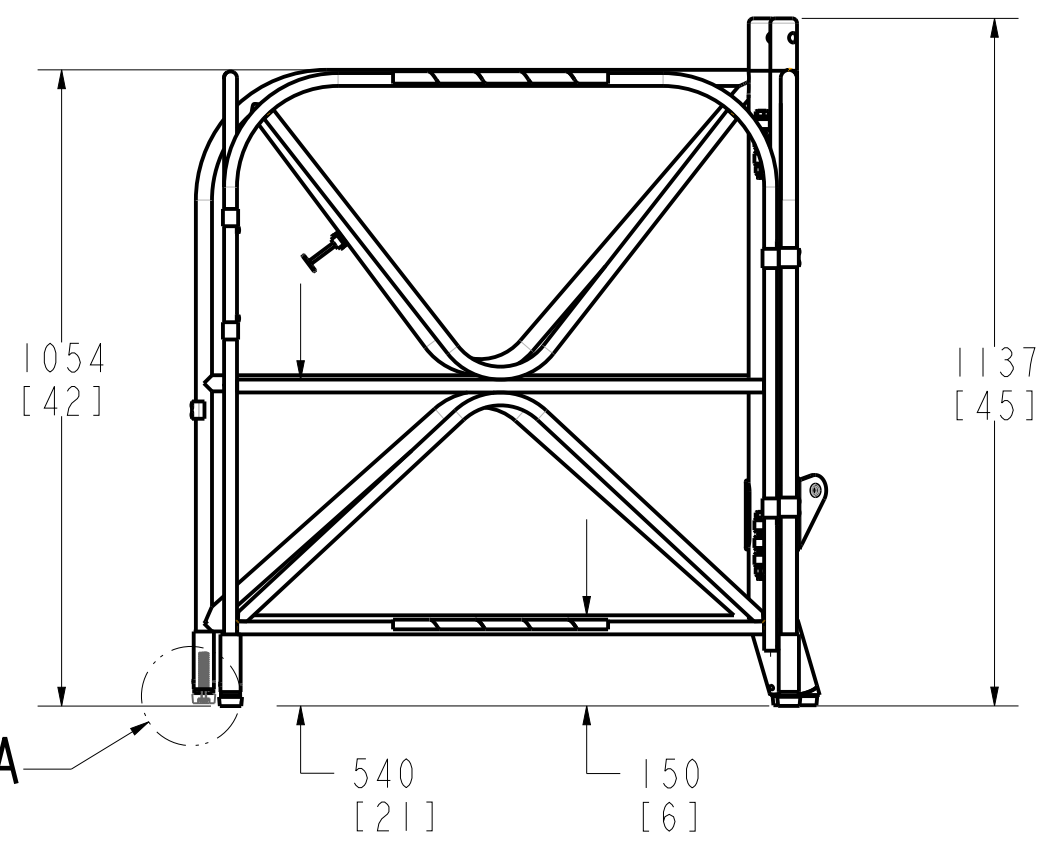
DETAIL A  
SCALE 1:5



0  
[0]  
Min

51  
[2]  
Max

SEE DETAIL A



PAT. NO. :  
CA 2,479,513  
US 7,213,715 B2  
EP 03 744 296.9



PRODUITS DE SERVICE PUBLICS INNOVA INC.  
INNOVA PUBLIC UTILITY PRODUCTS INC.

© 9105-0732 QUEBEC INC. and under exclusive license to INNOVA PUBLIC UTILITY PRODUCTS INC., (hereafter « INNOVA »). All rights reserved. Protected under the Copyright Act of Canada and international treaties and agreements regarding copyrights. Violators are subject to prosecution and other legal recourses for infringement. Any reproduction, adaptation or other use or disclosure whatsoever, in totality or in part, and in any form or by any means whatsoever, strictly forbidden and requires the prior written approval of INNOVA. All data is the exclusive property of 9105-0732 QUEBEC INC. and under exclusive license to INNOVA and cannot be used nor disclosed in any way either without the prior written approval of INNOVA.

WEIGHT:	TITLE:			
33 Lb	<b>Manhole guard with integrated mast 1067mm (42'')</b>			
15 Kg				

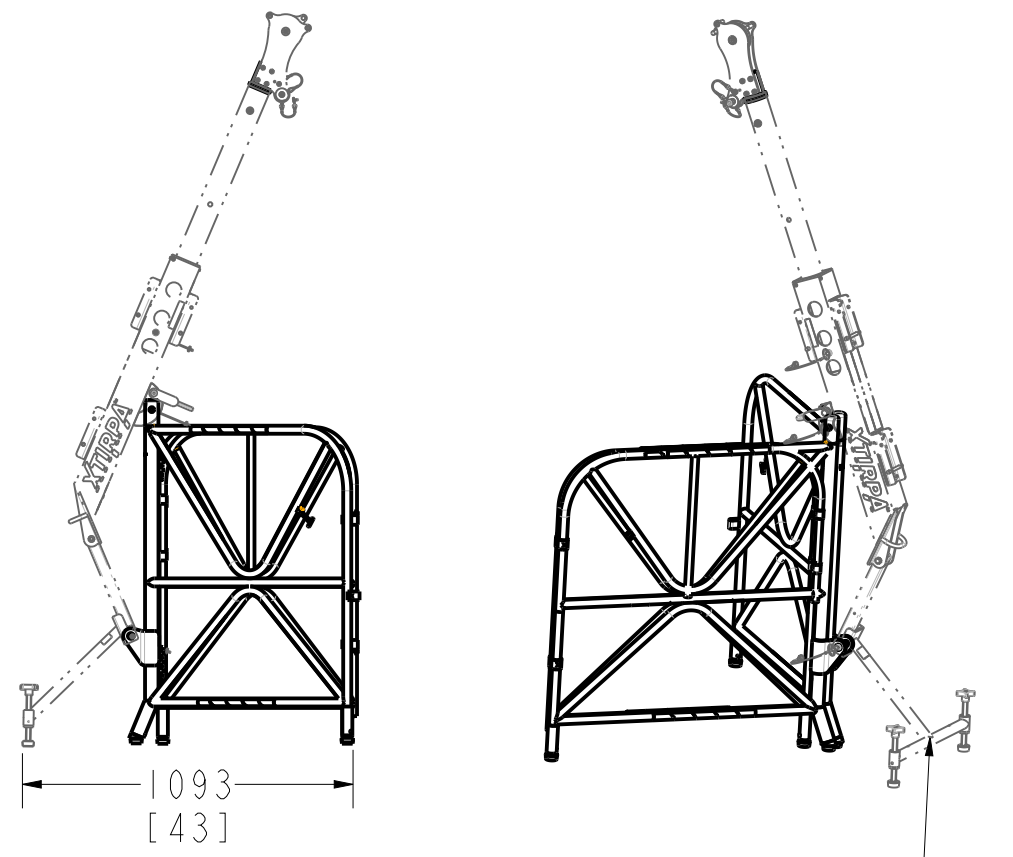
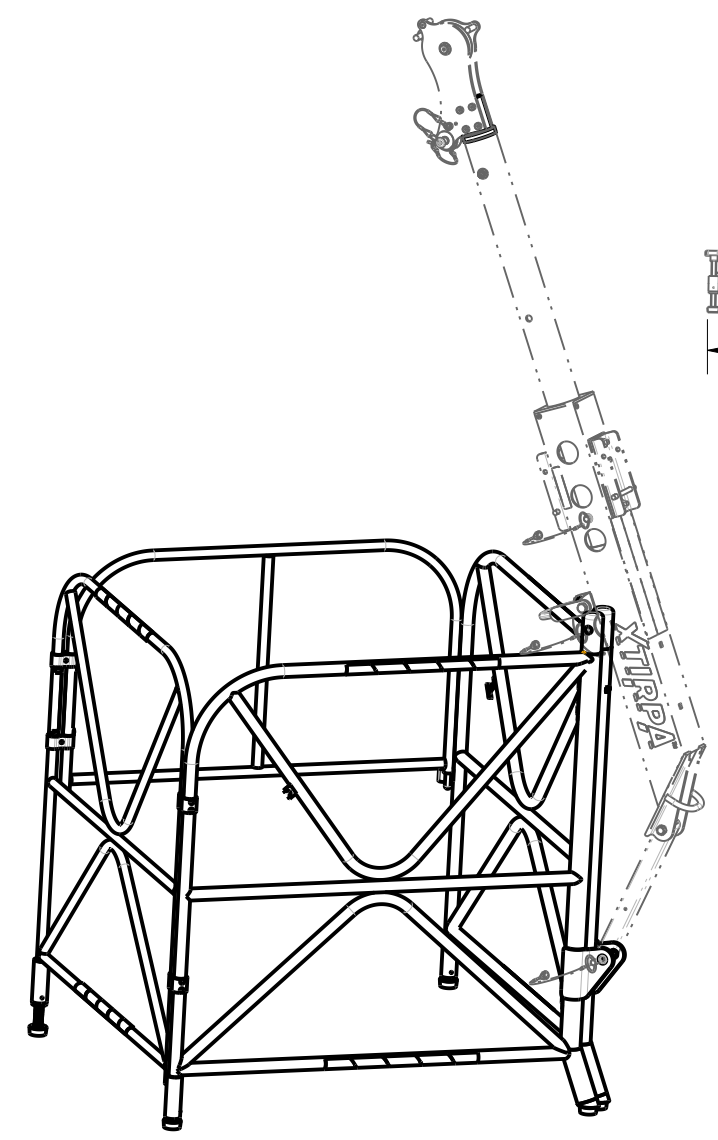
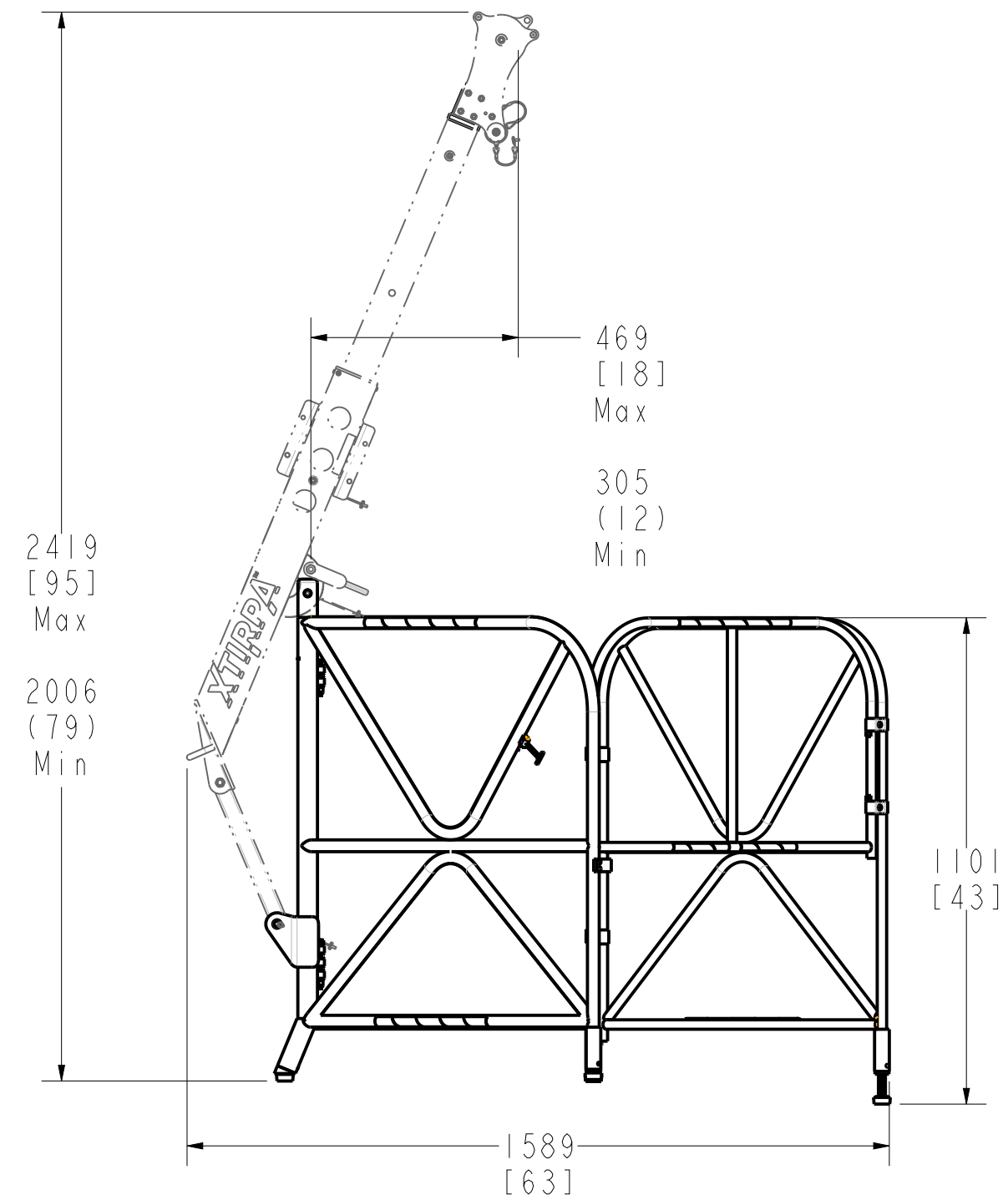
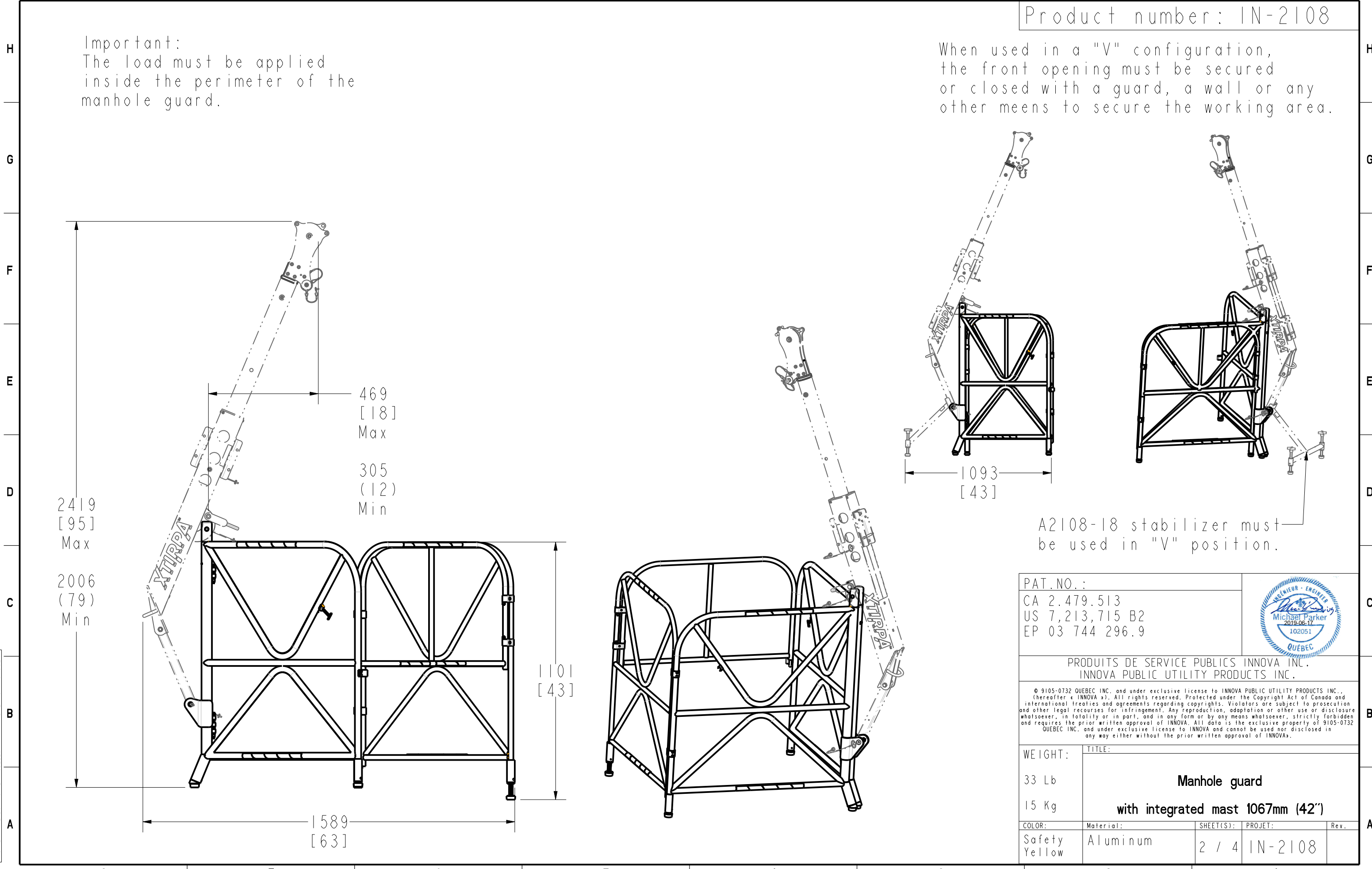
COLOR:	Material:	SHEET(S):	PROJET:	Rev.
Safety Yellow	Aluminum	1 / 4	IN-2108	

Product number: IN-2108


Important:  
The load must be applied  
inside the perimeter of the  
manhole guard.

When used in a "V" configuration,  
the front opening must be secured  
or closed with a guard, a wall or any  
other means to secure the working area.

CECI EST UN DESSIN PRO/ENGINEER  
 NOM DU FICHER DESSIN: DA2108-01-ANG.drw  
 NOM ET TYPE DU FICHER MODELE: DA2108-01-ASSEM



A2108-18 stabilizer must be used in "V" position.

PAT. NO.:			
CA 2.479.513			
US 7,213,715 B2			
EP 03 744 296.9		PRODUITS DE SERVICE PUBLICS INNOVA INC. INNOVA PUBLIC UTILITY PRODUCTS INC.	
<small>© 9105-0732 QUEBEC INC. and under exclusive license to INNOVA PUBLIC UTILITY PRODUCTS INC., (hereafter « INNOVA »). All rights reserved. Protected under the Copyright Act of Canada and international treaties and agreements regarding copyrights. Violators are subject to prosecution and other legal recourses for infringement. Any reproduction, adaptation or other use or disclosure whatsoever, in totality or in part, and in any form or by any means whatsoever, strictly forbidden and requires the prior written approval of INNOVA. All data is the exclusive property of 9105-0732 QUEBEC INC. and under exclusive license to INNOVA and cannot be used nor disclosed in any way either without the prior written approval of INNOVA.</small>			
WEIGHT:	TITLE:		
33 Lb	<b>Manhole guard with integrated mast 1067mm (42")</b>		
15 Kg			
COLOR:	Material:	SHEET(S):	PROJET:
Safety Yellow	Aluminum	2 / 4	IN-2108
			Rev.

Product number: IN-2108

SPECIFICATIONS

H This equipment is considered as part of a personal fall arrest system (PFAS) with a maximum working capacity of 190 Kg (420 lb).

It is only to be used in conjunction with a personal fall arrest system that limits the maximum arrest force (MAF).

G Working Load (mass) :With Davit Arm IN-2002 or IN-2210: 190 kg (420 lb)  
 Max Capacity without deformation:  
 With Davit Arm fully extended IN-2002 or IN-2210 : 18,683 N (4,200 lbf)  
 With Davit Arm IN-2002 or IN-2210 at Anchorage point : 22,295 N (5,000 lbf)  
 Maximum Moment : 8,542 N-m (75,600 lbf-in).

F STANDARDS

Meets the following standards:  
 OSHA Personal fall arrest system - 1910.66 App C  
 ANSI Safety requirements for personal fall arrest system, subsystems and components Z359.1 ( R1999 ) / 2007  
 E CAN/CSA Fall arresters, vertical lifelines, and rails Z259.2.1-98  
 CE EN 795:2012 Type B, when used with the IN-2210 davit arm.  
 TS 16415:2013 (2 Users)

MATERIAL AND CONSTRUCTION

D Structural tubes :Structural Aluminum  
 Levelling Screws : Stainless Steel and Rubber  
 Hardware : Zinc plated steel Gr. 5 and stainless steel  
 Finish : Yellow security powder paint  
 Welding certification: CSA W47.2M

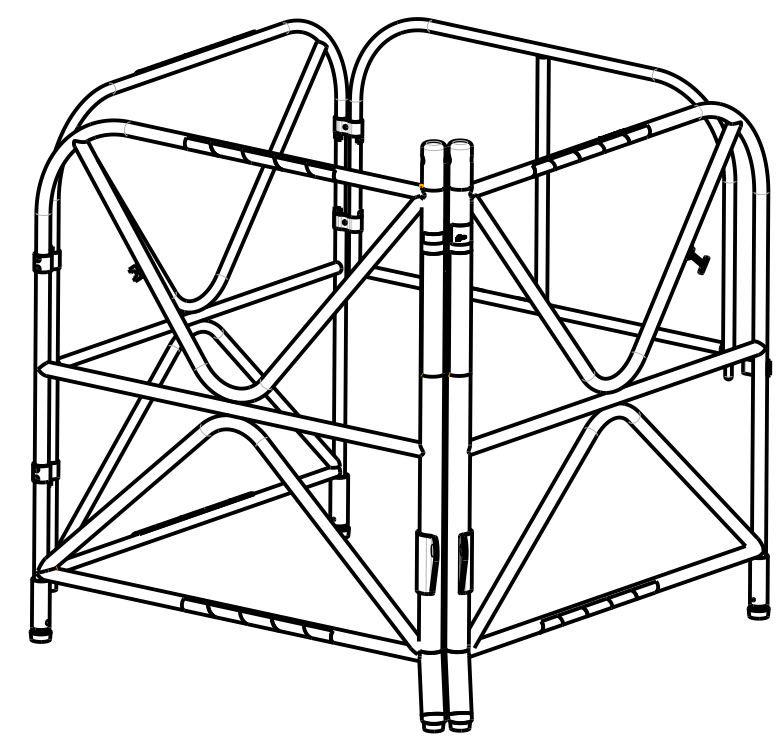
C RESTRICTIONS

This product is to be used only with products approved by Innova Public Utility Products inc.

IMPORTANT :

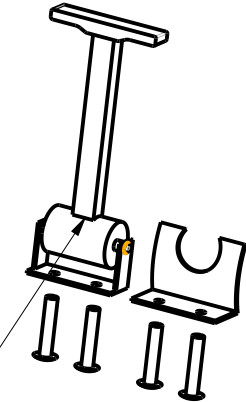
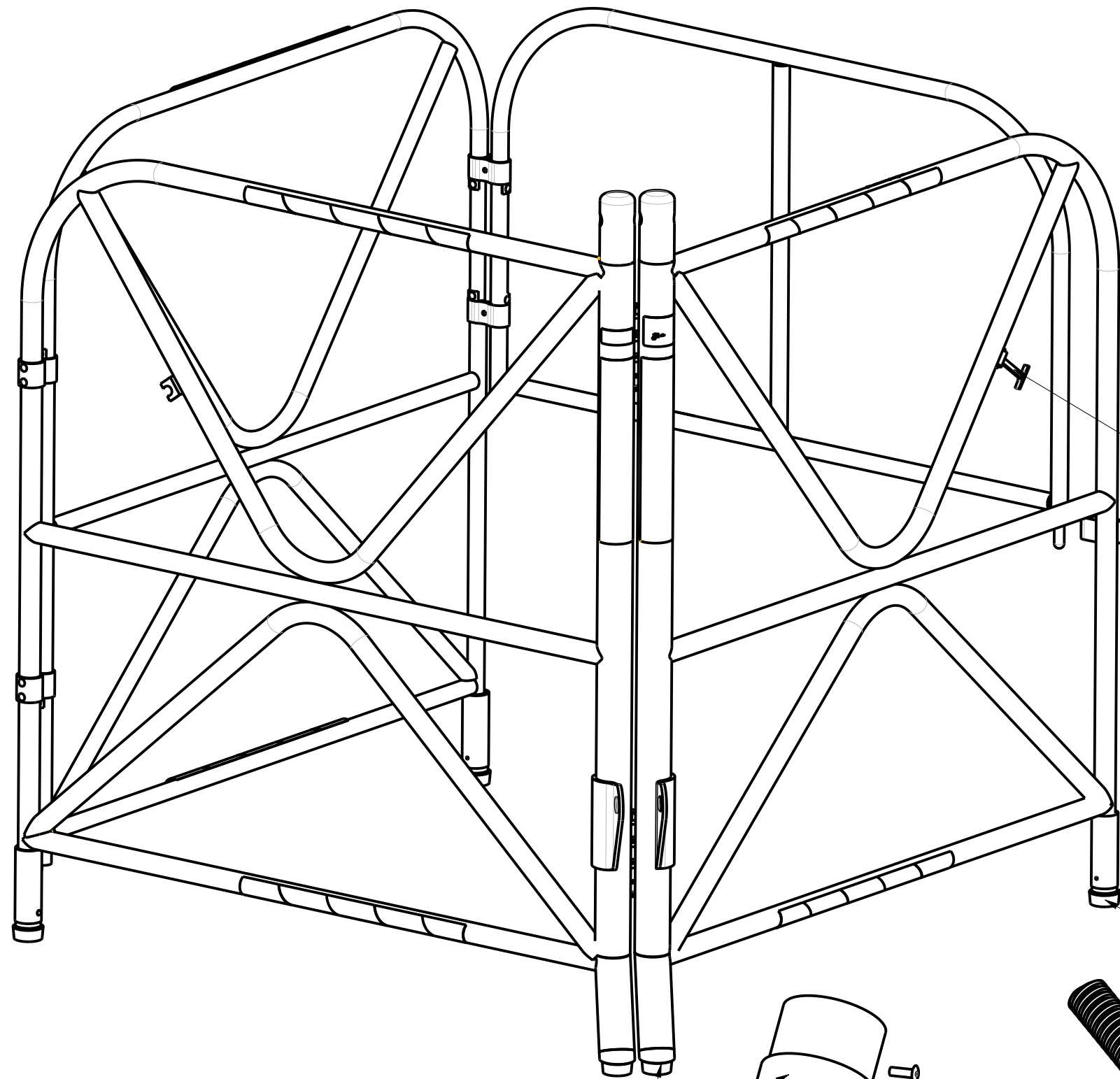
B \*\*The positioning pins must always be in place when manoeuvring personnel. Otherwise, serious injuries may occur. Periodic inspections of hardware must be done. In the occurrence of a fall or the safety of the equipment is in doubt, equipment must be immediately removed from service and inspected by qualified personnel before reuse.

A \*\* This equipment must always be operated in a level position.

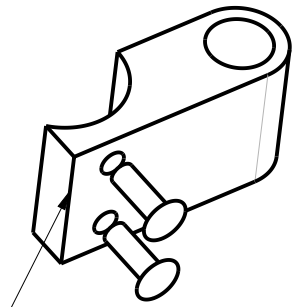


PAT. NO. :			
CA 2.479.513			
US 7,213,715 B2			
EP 03 744 296.9		PRODUITS DE SERVICE PUBLICS INNOVA INC. INNOVA PUBLIC UTILITY PRODUCTS INC.	
<small>© 9105-0732 QUEBEC INC. and under exclusive license to INNOVA PUBLIC UTILITY PRODUCTS INC., (hereafter « INNOVA »). All rights reserved. Protected under the Copyright Act of Canada and international treaties and agreements regarding copyrights. Violators are subject to prosecution and other legal recourses for infringement. Any reproduction, adaptation or other use or disclosure whatsoever, in totality or in part, and in any form or by any means whatsoever, strictly forbidden and requires the prior written approval of INNOVA. All data is the exclusive property of 9105-0732 QUEBEC INC. and under exclusive license to INNOVA and cannot be used nor disclosed in any way either without the prior written approval of INNOVA.</small>			
WEIGHT:	TITLE:		
33 Lb	<b>Manhole guard</b> <b>with integrated mast 1067mm (42')</b>		
15 Kg			
COLOR:	Material:	SHEET(S):	PROJET:
Safety Yellow	Aluminum	3 / 4	IN-2108
			Rev.

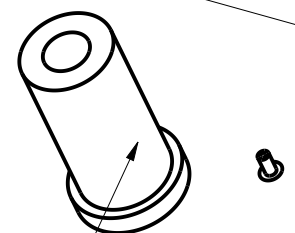
Product number: IN-2108



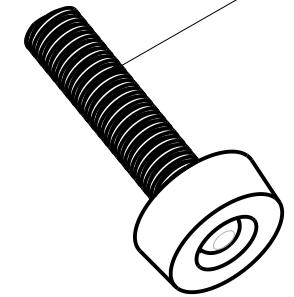
A2001-32  
1X



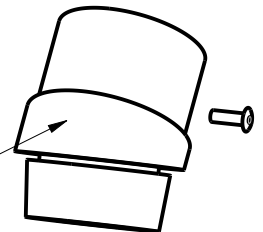
A2001-37  
1X



A2001-10  
3X



A2001-09  
3X



A2001-36  
2X

PAT. NO. :  
CA 2,479,513  
US 7,213,715 B2  
EP 03 744 296.9



PRODUITS DE SERVICE PUBLICS INNOVA INC.  
INNOVA PUBLIC UTILITY PRODUCTS INC.

© 9105-0732 QUEBEC INC. and under exclusive license to INNOVA PUBLIC UTILITY PRODUCTS INC., (hereafter « INNOVA »). All rights reserved. Protected under the Copyright Act of Canada and international treaties and agreements regarding copyrights. Violators are subject to prosecution and other legal recourses for infringement. Any reproduction, adaptation or other use or disclosure whatsoever, in totality or in part, and in any form or by any means whatsoever, strictly forbidden and requires the prior written approval of INNOVA. All data is the exclusive property of 9105-0732 QUEBEC INC. and under exclusive license to INNOVA and cannot be used nor disclosed in any way either without the prior written approval of INNOVA.

WEIGHT: 33 Lb  
15 Kg

TITLE: **Manhole guard with integrated mast 1067mm (42')**

COLOR:	Material:	SHEET(S):	PROJET:	Rev.
Safety Yellow	Aluminum	4 / 4	IN-2108	