

Nano-Lok™ Self Retracting Lifelines (SRLs) Rated Capacity

3M Self Retracting Lifelines (SRLs) are manufactured and tested at the 3M US facility. They are tested and certified to relevant international standards, including those of the US, Canada and Europe.

Each design of SRL can therefore be tested and certified to multiple international standards. However, they are labelled and marked with the standard that is the most relevant for and accepted by the market they are being sold into. For Australia and New Zealand, this relevant standard is EN 360, that is deemed acceptable for use under section 1.6 of AS/NZS 1891.3, the Australian and New Zealand standard for Industrial Fall Arrest Systems and Devices.

Standards of different regions typically have differing testing requirements. As a result, products can undergo testing that is more severe than what is required by and therefore may exceed the requirements of the standard to which it is marked.

To this effect, the Nano-Lok™ SRL range has a combined user weight (person, clothing, tools etc.) capacity of 190kg when it is connected no greater than 600mm below the user's rear dorsal attachment point. For an anchor connection greater than 600mm below the user's dorsal attachment, the capacity is limited to 140kg. Please refer to the fall clearance charts for a combined user weight between 140 - 190kg on the following pages.

Note: Users with a combined weight between 140 -190kg need 0.3m more clearance than what is shown in the fall clearance charts of the user instruction manual (Figure 4 of "Nano-Lok™ Self-Retracting Device" Instruction Manual 5903433 Rev. E). Users with a combined weight of 140-190kg must never connect to an anchor that is greater than 600mm below their harness dorsal attachment point. The following fall clearance charts are for a user with a combined weight between 140- 190kg.

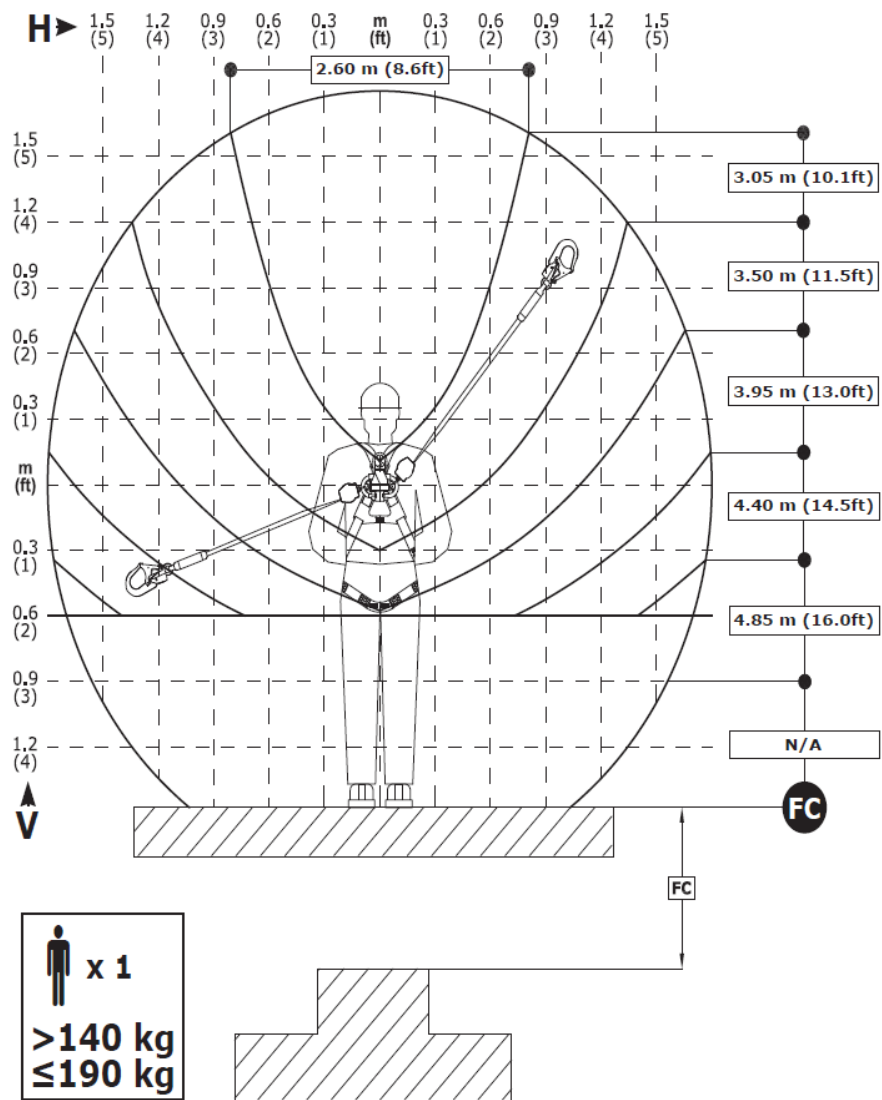


Figure 1: Nano-Lok™ fall clearance chart for users with a combined weight between 140-190kg



3M Australia Pty Ltd
 Personal Safety Division
 Bldg A, 1 Rivett Road
 North Ryde NSW 2113
 TechAssist Helpline: 1800 024 464
 Customer Service: 1300 363 565
 Email: techassist@mmm.com
 Web: www.3M.com/au/ppesafety

3M New Zealand Ltd
 Personal Safety Division
 94 Apollo Drive, Rosedale
 Auckland 0632
 TechAssist Helpline: 0800 364 357
 Customer Service: 0800 252 627
 Email: techassist@mmm.com
 Web: www.3M.com/nz/ppesafety

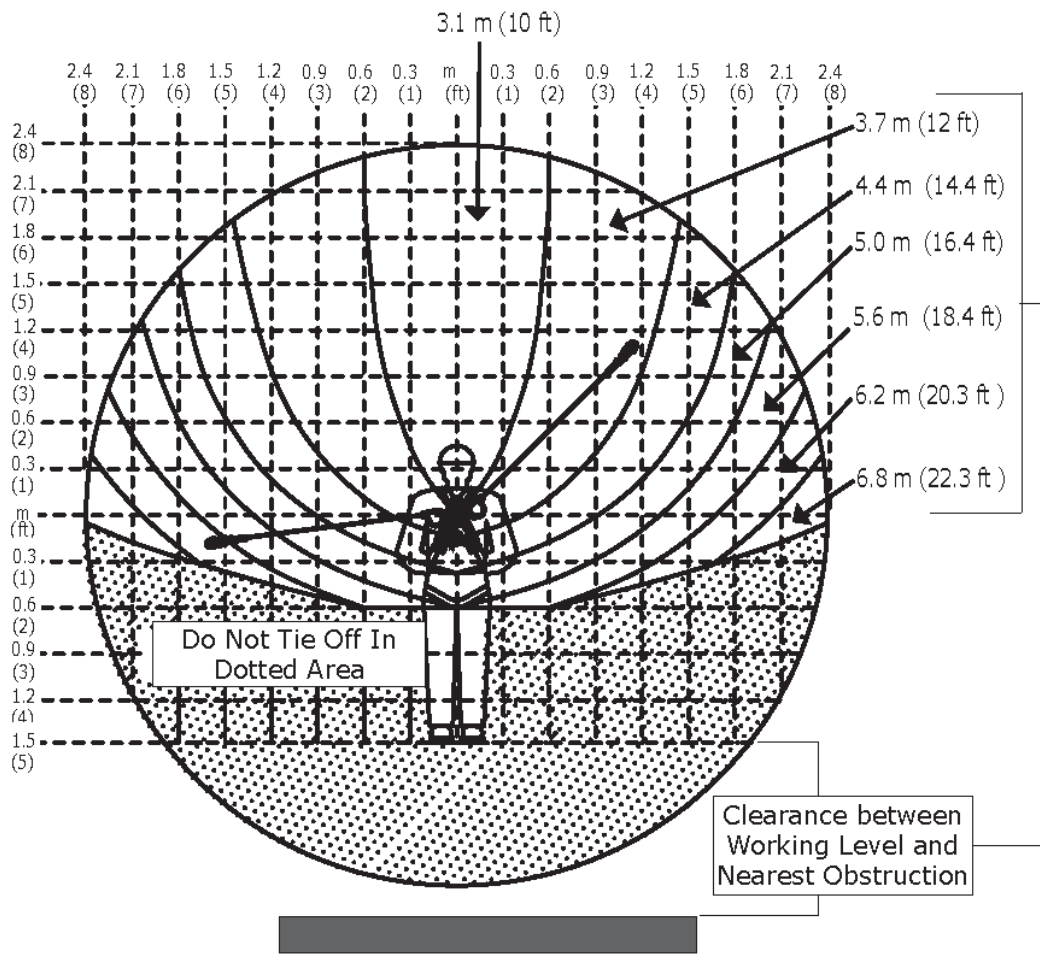


Figure 2: Nano-Lok™ LE fall clearance chart for users with a combined weight between 140-190kg

For further information please contact your local 3M Fall Protection Sales Representative or 3M Fall Protection Customer Service at 3msafetyaucs@mmm.com or on: 1800 245 002



3M Australia Pty Ltd
 Personal Safety Division
 Bldg A, 1 Rivett Road
 North Ryde NSW 2113
 TechAssist Helpline: 1800 024 464
 Customer Service: 1300 363 565
 Email: techassist@mmm.com
 Web: www.3M.com/au/ppesafety

3M New Zealand Ltd
 Personal Safety Division
 94 Apollo Drive, Rosedale
 Auckland 0632
 TechAssist Helpline: 0800 364 357
 Customer Service: 0800 252 627
 Email: techassist@mmm.com
 Web: www.3M.com/nz/ppesafety