



# RP209 Mini Ropegrab with Pip Pin Axle

## Data Sheet



ISC Ropegrabs have a non-aggressive cam-face design which helps prevent rope wear.



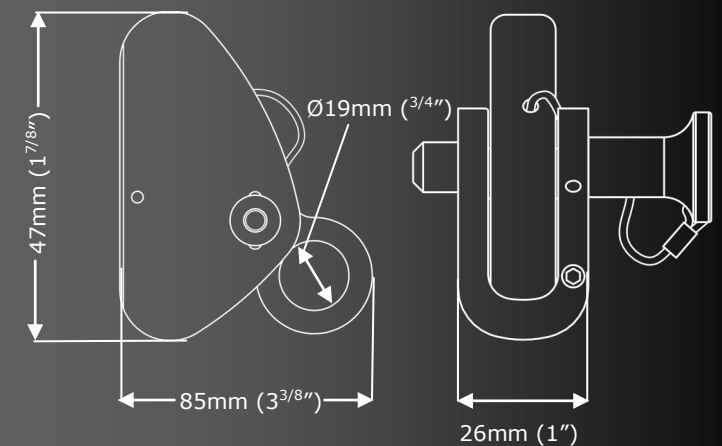
climb. work. rescue.



SOLUTIONS IN METAL

The RP209 Ropegrab has a Pip Pin Axle, allowing the Ropegrab to easily be fitted or removed from the working rope line at anytime, without the need for the user to detach from their Harness.

The Pip Pin is a 'push-button' device, which allows the user to quickly and efficiently secure the device during use.



<b>Weight</b>	180g (6oz)
<b>Body Material</b>	Aluminium
<b>Finish</b>	Anodised
<b>Rope size</b>	10.5 - 13mm (3/8-1/2")
<b>MBS</b>	Dependant on rope type