



**3M**



Fall Protection

Comfort Grip Connector

Built precisely for those  
who work relentlessly

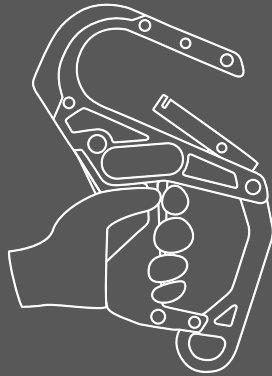
**Snap Into  
Work Mode**



# 3M™ DBI-SALA® Comfort Grip Connector



Traditional  
snap hook



Comfort Grip  
Connector

## ▶ Versatility starts here

Protect your hands and connect easier with the newly designed 3M™ DBI-SALA® Comfort Grip Connector.

The new design positions the fingers so the gate is completely open.

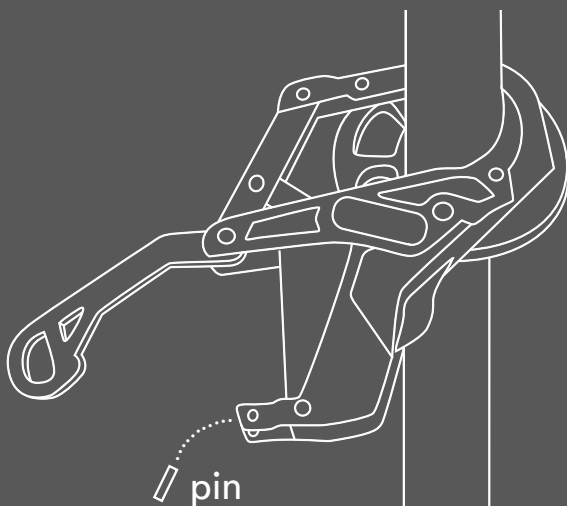
## ▶ Freedom at height

**22.2 kN** Tensile strength

**16 kN** Gate strength

**16 kN** Transverse strength

Connect to a variety of anchorage points easily and effectively. This hook is designed and certified to arrest a fall when loaded in multiple orientations.



## ▶ Designed to self-align

When connected in a transverse application, the hand-guard pin will shear in the event of a fall to allow the connector to align with the direction of the fall and remain securely anchored.

Available on some of our most popular products including:



**3M™ DBI-SALA®  
Force2™  
Lanyard**  
Part No. Z12200980E



**3M™ DBI-SALA®  
Nano-Lok™  
Extended Length**  
Part No. TBA



**3M™ DBI-SALA®  
Nano-Lok™  
Personal SRL**  
Part No. TBA



**3M™ DBI-SALA®  
Nano-Lok™ LE  
Personal SRL**  
Part No. TBA

Visit [3M.com.au/FallProtection](http://3M.com.au/FallProtection) for more configurations.

## Keep up with any job

The 3M™ DBI-SALA® Comfort Grip Connector was designed for workers who need the flexibility to anchor efficiently and comfortably in multiple orientations.

Whether you are using a snap hook 10 times or 1000 times per day, the 3M™ DBI-SALA® Comfort Grip Connector will help make your job easier.

Snap into work mode.

Feature	Comfort Grip
Standards	ANSI Z359.12 CSA Z259.12 EN 362:2004
Side load requirement	Yes
Compatible with most scaffold rosettes	Yes
Materials	Aircraft grade aluminium Alloy steel Nylon Stainless steel
Tensile strength	22.2 kN
Gate strength	16 kN
Transverse strength	16 kN
Gate opening	57 mm
Usable gate opening	57 mm



**3M Fall Protection Business**  
Personal Safety Division

**3M Australia Pty Ltd**  
Bldg A, 1 Rivett Road,  
North Ryde, NSW 2113  
TechAssist Helpline: 1800 024 464  
Customer Services: 1300 363 565  
Email: [techassist@mmm.com](mailto:techassist@mmm.com)  
[3M.com/au/ppesafety](http://3M.com/au/ppesafety)

**3M New Zealand Limited**  
94 Apollo Drive, Rosedale,  
Auckland 0632  
TechAssist Helpline: 0800 364 357  
Customer Services: 0800 252 627  
[www.3M.com/nz/ppesafety](http://www.3M.com/nz/ppesafety)

